

Solid State Relay Accessory Heat Sink



- Material: Aluminum
- Din-rail Optional
- Fan Optional
- Customization Available



Product Selection

ASR	-HS	D	50	-F	110AC
		Series A:A Series B:B Series C:C Series D:D Series E:E Series F:F Series G:G Series	Length 32:32mm 49:49mm 50:50mm 70:70mm 76:76mm 90:90mm 110:110mm 150:150mm	Accessory None: No Accessory F: Fan D: Din-rail B: Fan & Din-rail	Fan Voltage None: No Fan 24DC:24VDC 110AC:110VAC 220AC:220VAC

Product Selection

Heat Sink P/N	Dimension (mm)	Thermal Resistance (°C/W)	Suitable for SSR P/N
ASR-HSA32	32*80*50	2.8	ASR-SIM
ASR-HSA50	50*80*50	2.1	ASR-SI, ASR-SID
ASR-HSB70	70*50*69	1.9	ASR-SI, ASR-SID
ASR-HSB70-D	81*50*83	1.9	ASR-SI, ASR-SID
ASR-HSB90	90*50*69	1.7	ASR-SI, ASR-SID, ASR-SV
ASR-HSC49	49*100*80	1.7	ASR-SI, ASR-SID
ASR-HSC110	110*100*80	0.9	ASR-SI, ASR-SID, ASR-SQF
ASR-HSC110-F□□□	140*100*80	0.4	ASR-SI, ASR-SID, ASR-SQF
ASR-HSD50	50*106*96	1.6	ASR-SI, ASR-SID
ASR-HSD50-F□□□	80*106*96	0.6	ASR-SI, ASR-SID
ASR-HSD110	110*106*96	0.8	ASR-SI, ASR-SID, ASR-SQF
ASR-HSD110-F□□□	140*106*96	0.35	ASR-SI, ASR-SID, ASR-SQF
ASR-HSE76	76*123*67	1.5	ASR-SI, ASR-SID
ASR-HSF150	150*142*55	0.6	ASR-SI, ASR-SID, ASR-SQF
ASR-HSG150	150*125*135	0.4	ASR-SI, ASR-SID, ASR-SQF
ASR-HSG150-F□□□	193*125*135	0.15	ASR-SI, ASR-SID, ASR-SQF

Detailed Data

Series	A Series		B Series
Photo			
Part Number	ASR-HSA32	ASR-HSA50	ASR-HSB70
Thermal Resistance (°C/W)	2.8	2.1	1.9
N.W. (g)	70	115	235
Outer Dimension (mm)	32*80*50	50*80*50	70*50*69
Suitable for	ASR-SIM	ASR-SI, ASR-SID	ASR-SI, ASR-SID

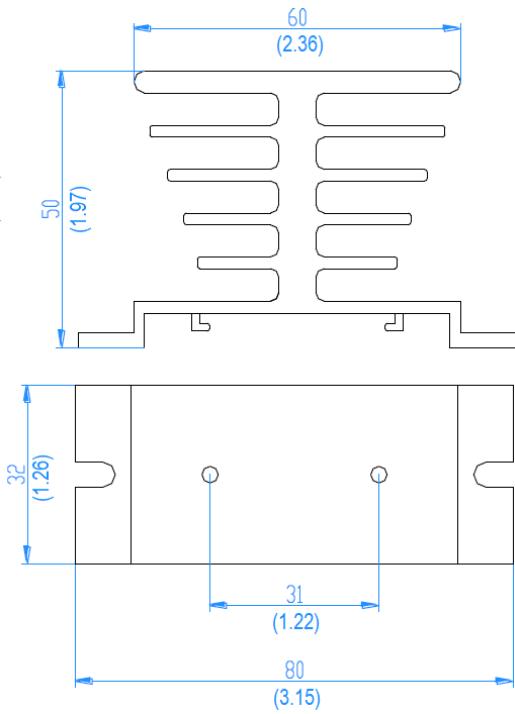
Series	B Series		C Series
Photo			
Part Number	ASR-HSB70-D	ASR-HSB90	ASR-HSC49
Thermal Resistance (°C/W)	1.9	1.7	1.7
N.W. (g)	290	390	255
Outer Dimension (mm)	81*50*83	90*50*69	49*100*80
Suitable for	ASR-SI, ASR-SID	ASR-SI, ASR-SID, ASR-SV	ASR-SI, ASR-SID
Series	C Series		D Series
Photo			
Part Number	ASR-HSC110	ASR-HSC110-F□□□	ASR-HSD50
Thermal Resistance (°C/W)	0.9	0.4	1.6
N.W. (g)	560	830	375
Outer Dimension (mm)	110*100*80	140*100*80	50*106*96
Suitable for	ASR-SI, ASR-SID, ASR-SQF	ASR-SI, ASR-SID, ASR-SQF	ASR-SI, ASR-SID

Series	D Series		
Photo			
Part Number	ASR-HSD50-F□□□	ASR-HSD110	ASR-HSD110-F□□□
Thermal Resistance (°C/W)	0.6	0.8	0.35
N.W. (g)	645	825	1095
Outer Dimension (mm)	80*106*96	110*106*96	140*106*96
Suitable for	ASR-SI, ASR-SID	ASR-SI, ASR-SID, ASR-SQF	ASR-SI, ASR-SID, ASR-SQF
Series	E Series	F Series	G Series
Photo			
Part Number	ASR-HSE76	ASR-HSF150	ASR-HSG150
Thermal Resistance (°C/W)	1.5	0.6	0.4
N.W. (g)	300	539	2320
Outer Dimension (mm)	76*123*67	150*142*55	150*125*135
Suitable for	ASR-SI, ASR-SID	ASR-SI, ASR-SID, ASR-SQF	ASR-SI, ASR-SID, ASR-SQF
Series	G Series		
Photo			
Part Number	ASR-HSG150-F□□□		
Thermal Resistance (°C/W)	0.15		
N.W. (g)	2590		
Outer Dimension (mm)	193*125*135		
Suitable for	ASR-SI, ASR-SID, ASR-SQF		

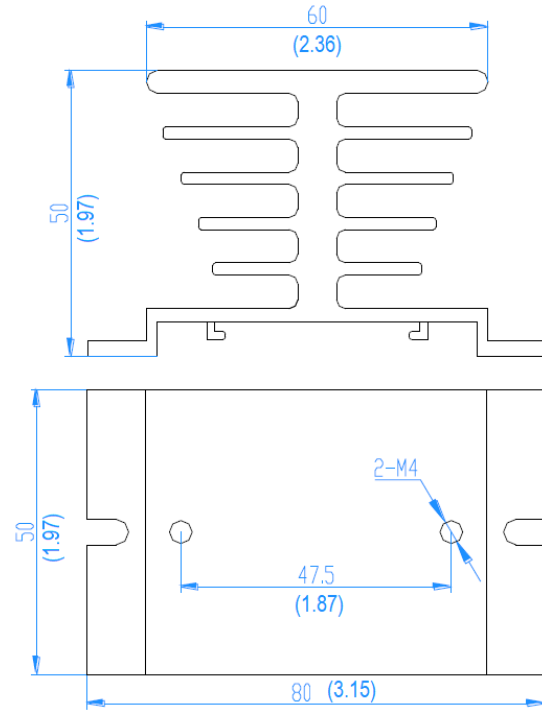
Product Dimension

A Series:

ASR-HSA32

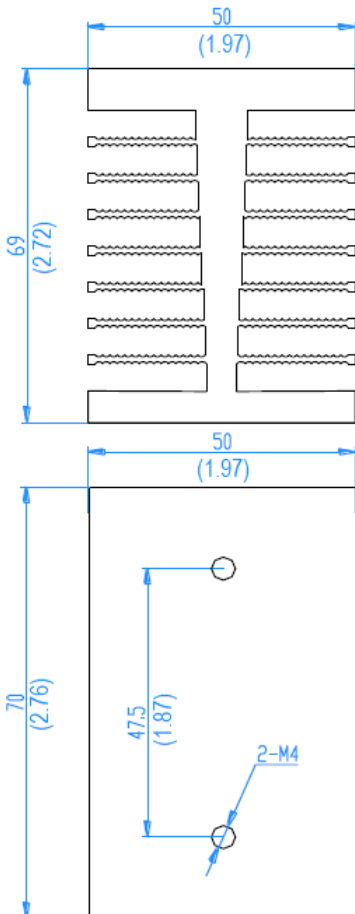


ASR-HSA50

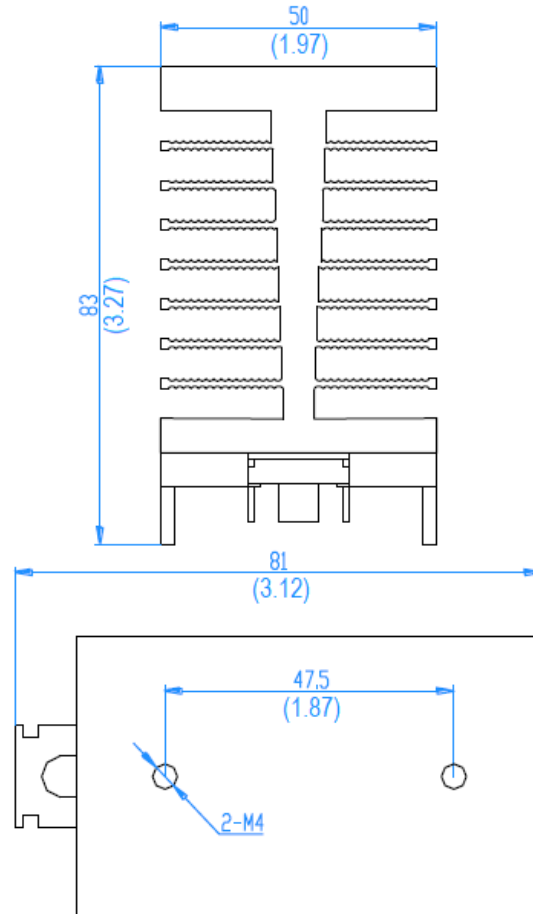


B Series:

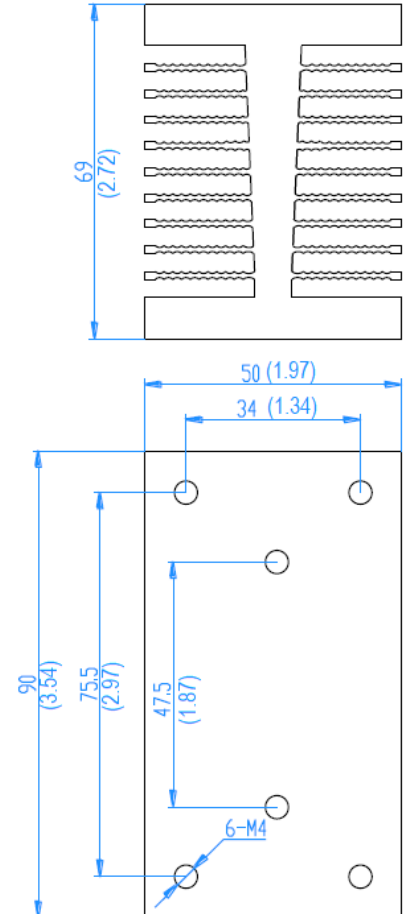
ASR-HSB70



ASR-HSB70-D

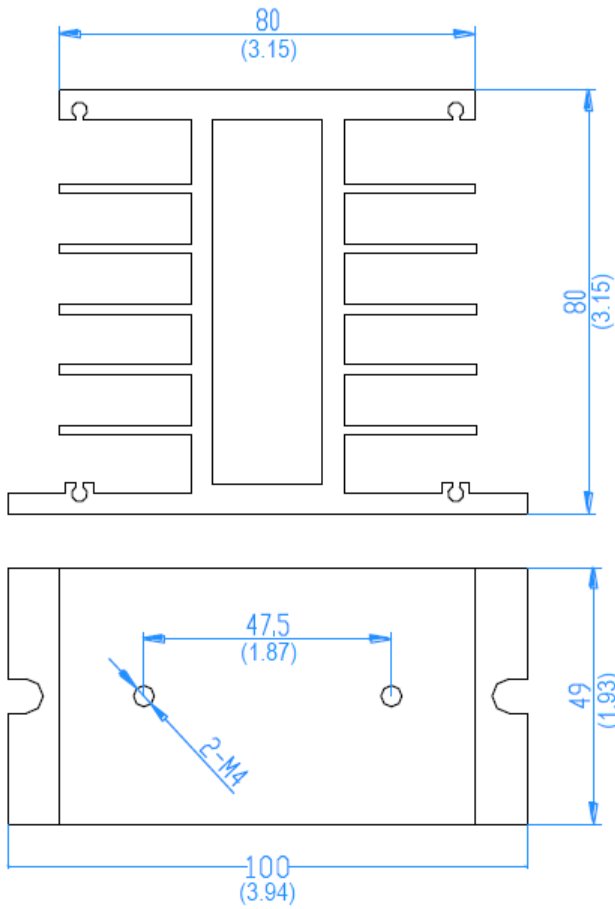


ASR-HSB90

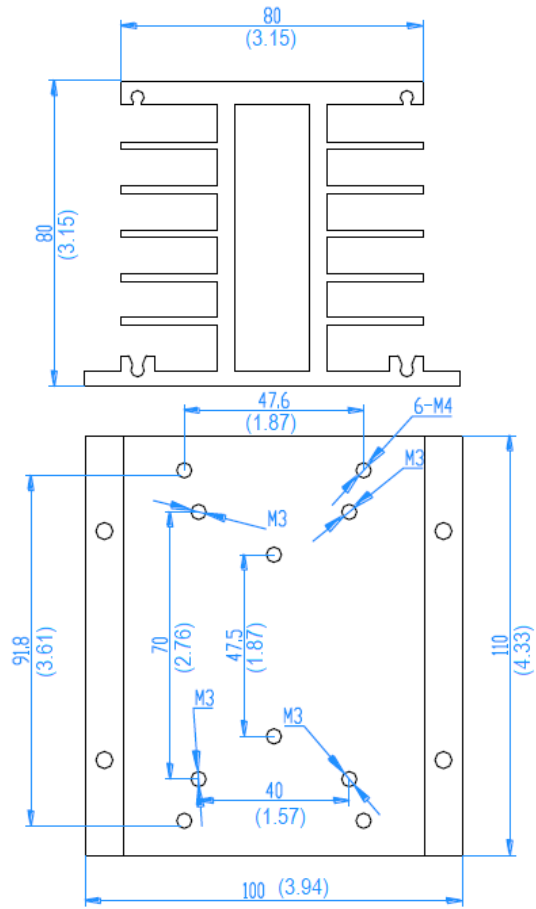


C Series:

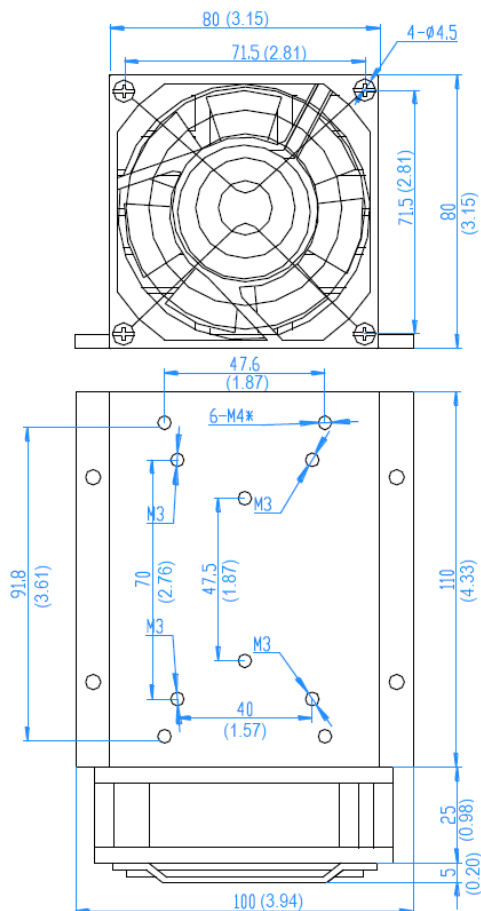
ASR-HSC49



ASR-HSC110

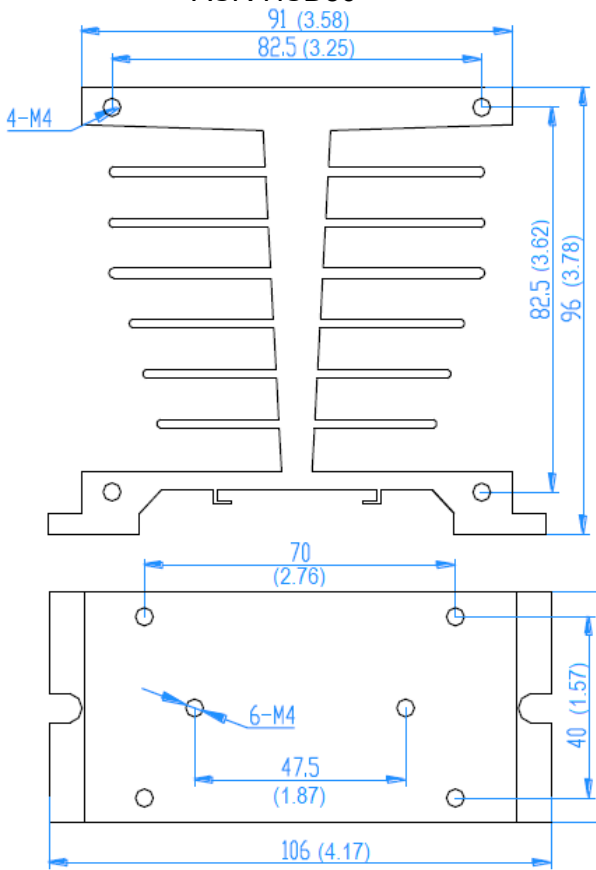


ASR-HSC110-F□□□

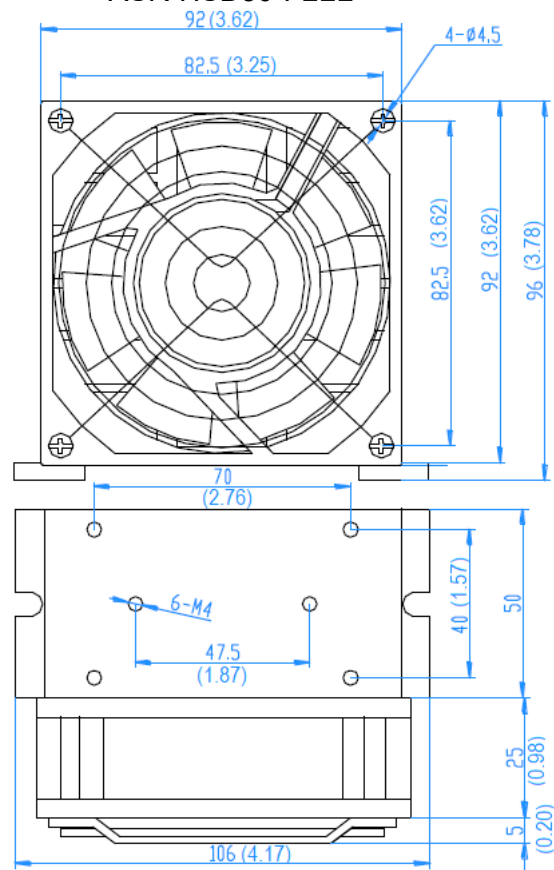


D Series:

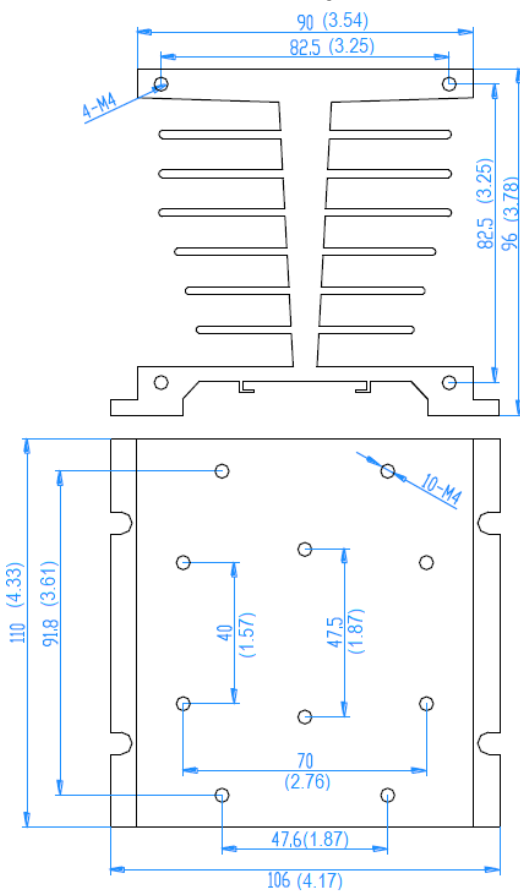
ASR-HSD50



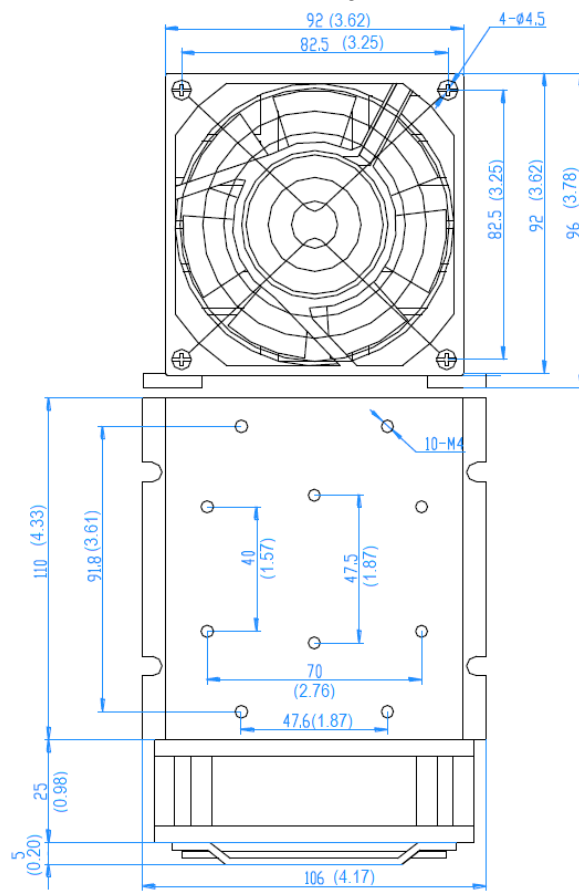
ASR-HSD50-F□□□



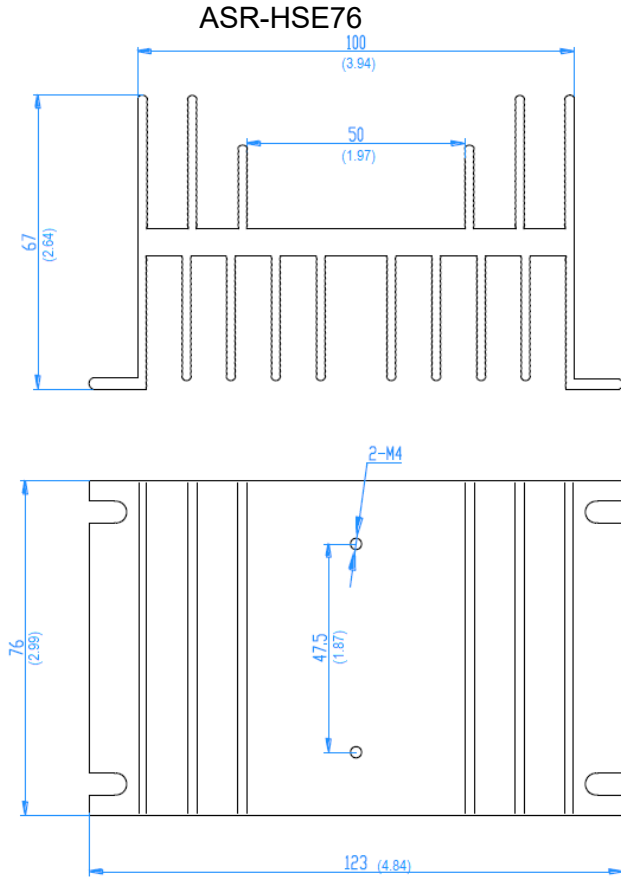
ASR-HSD110



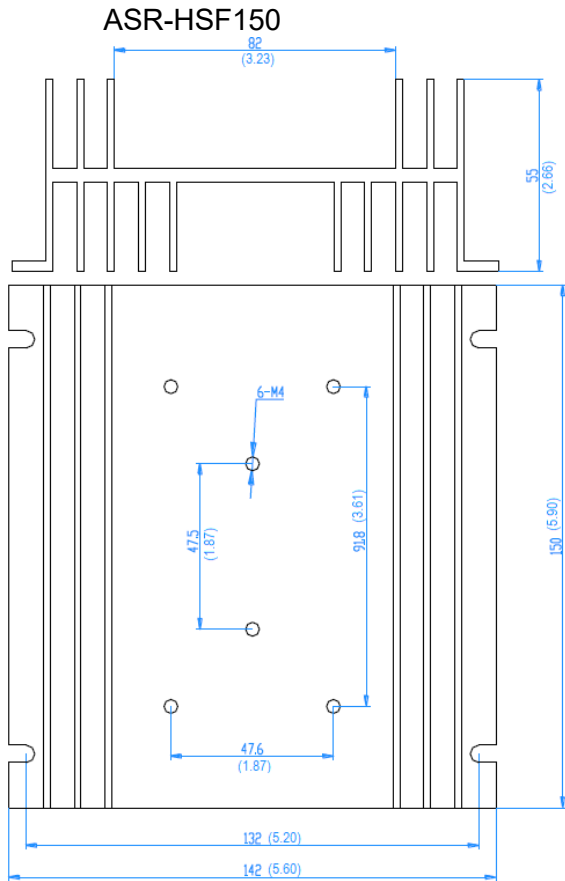
ASR-HSD110-F□□□



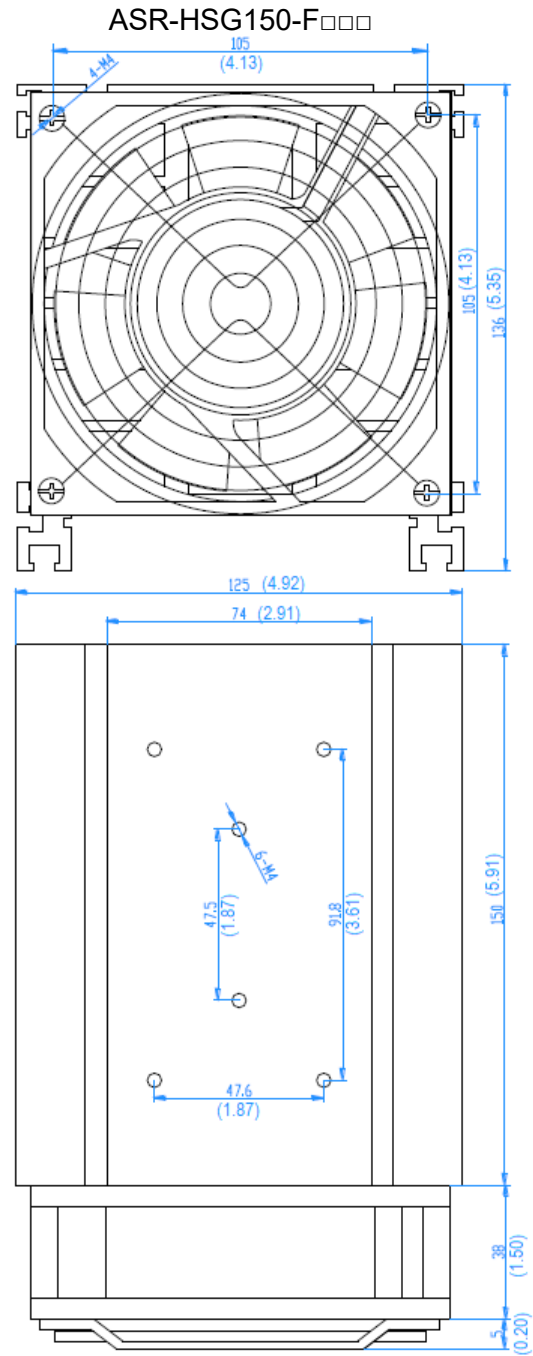
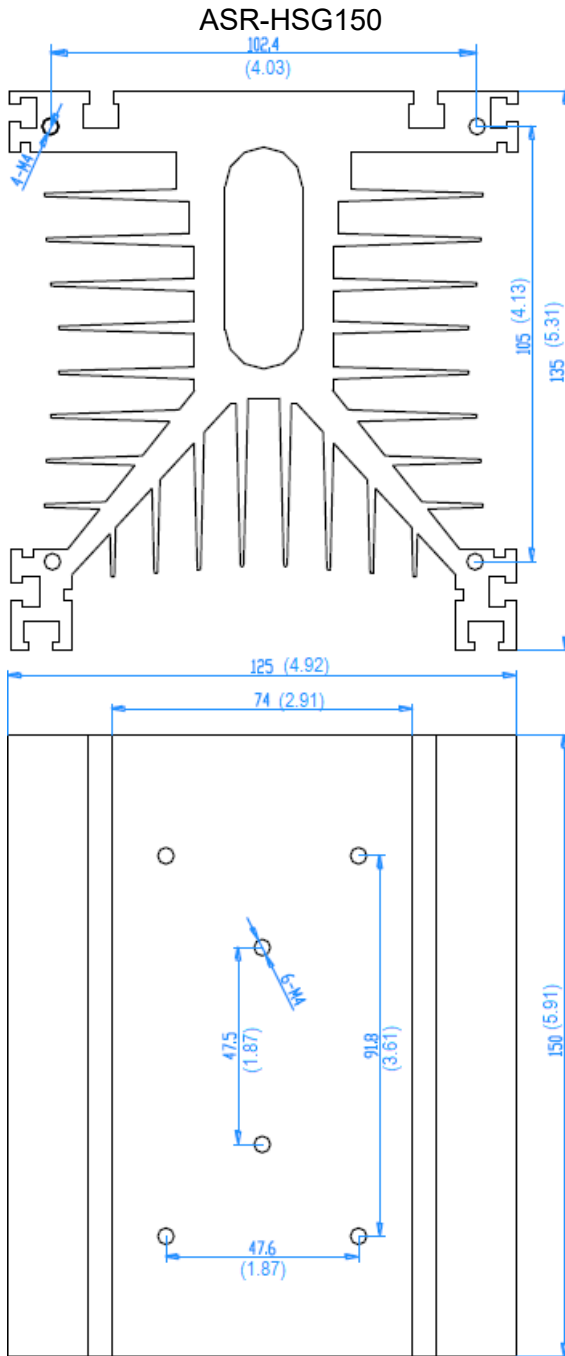
E Series:



F Series:



G Series:



Altran Magnetics Inc., All Right Reserved