



We Design. We Build. We Deliver

TANGENTIAL BLOWERS DATA SHEETS

TARIFF-FREE PRODUCTS
Effective Q3 2025



TABLE OF CONTENTS

About Us	03
Benefits of Working with Altran	04
30mm CF Blowers	05
45mm CF Blowers	06
60mm CF Blowers	09
65mm CF Blowers	13
80mm CF Blowers	15





ABOUT US

Altran Magnetics, LLC is dedicated to serving our customers wherever there's electricity—there's opportunity. We sell to a diverse range of industries, including HVAC, food service, automotive testing equipment, clean energy, appliances, welding, ground support equipment, medical devices, and material handling.



We Design, We Build, We Deliver. Altran Magnetics, LLC is committed to innovation; our group creates solutions that meet the needs of customers across various sectors.

We own and maintain joint ventures to provide our customers with the best value proposition in the market.

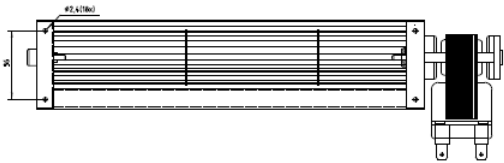
BENEFITS OF WORKING WITH ALTRAN

DOMESTIC WAREHOUSING

- Altran is dedicated to holding up to 4 months of inventory in Sterling Il so your product is secure and never ships late
- Many times our dedicated customer service team can arrange to have your product shipped as soon as same day



ENGINEERING



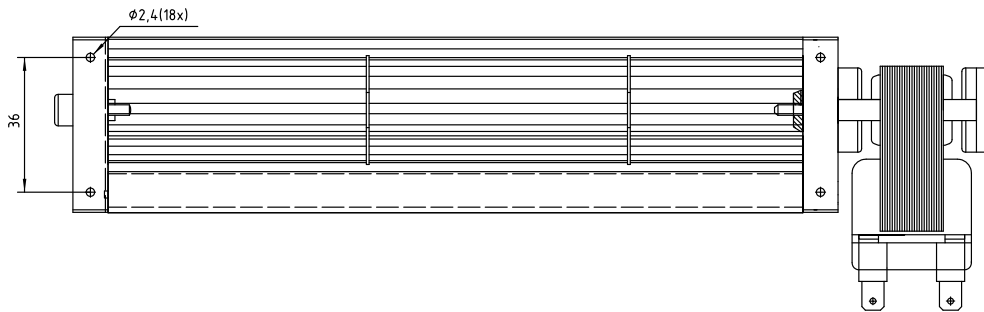
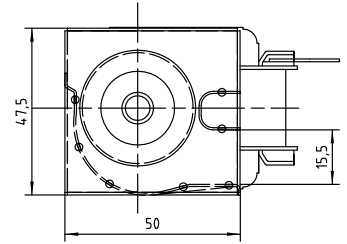
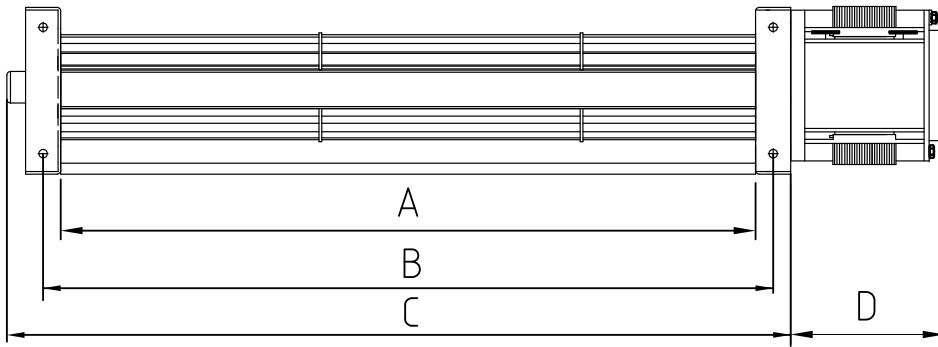
- Our Motor engineering team has completed hundreds of motor designs from the ground up ensuring that the motor you need is the motor you get
- Our engineering team has decades of combined experience working with customers in Heating, Ventilation, Air Conditioning, Pumps, Automation, and Commercial/Residential Kitchen Equipment

QUALITY

With all ISO certified production facilities and a strong quality culture, we are constantly working to ensure that product is not only delivered on time, but also defect free and in specification.



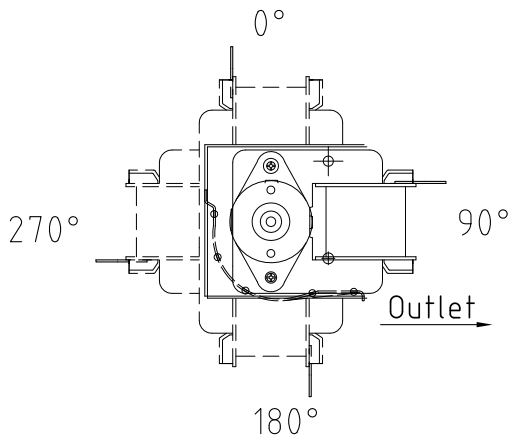
Product Data Sheet



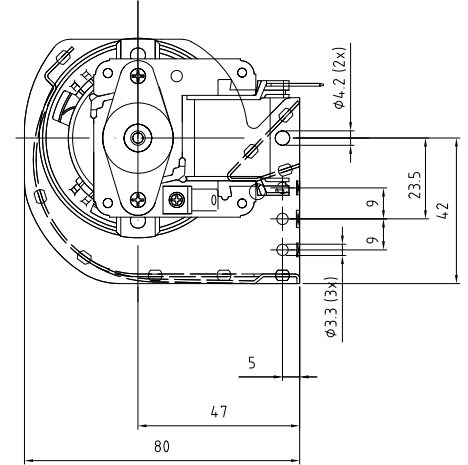
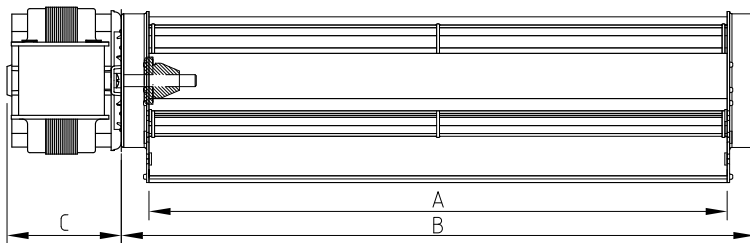
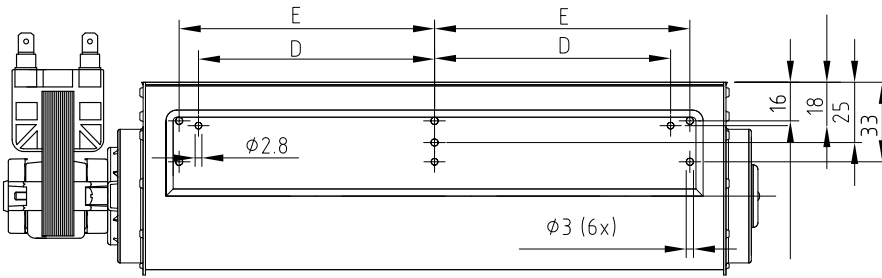
Blower	A	B	C	D
30x150	148	158	168	40-60
30x200	198	208	218	40-60
30x250	248	258	268	40-60
30x300	302.6	312.6	322.6	40-60
30x350	352.6	362.6	372.6	40-60

- Standard for all motor types
- Insulation Class: B, F or H
- Voltage/Frequency: 110VAC-240VAC; 50/60Hz
- The blower can also be supplied with a heating element
- Stack size (S) : 0.375" / 0.5" / 0.75" / 0.875" / 1.00" / 1.125" / 1.375" / 1.50" / 2.00"

Alternative motor angles



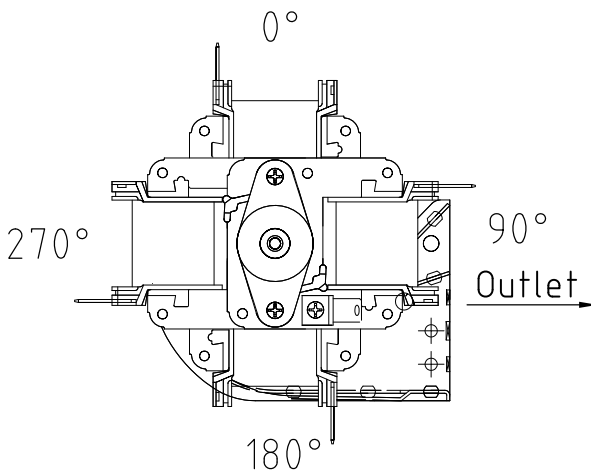
Product Data Sheet



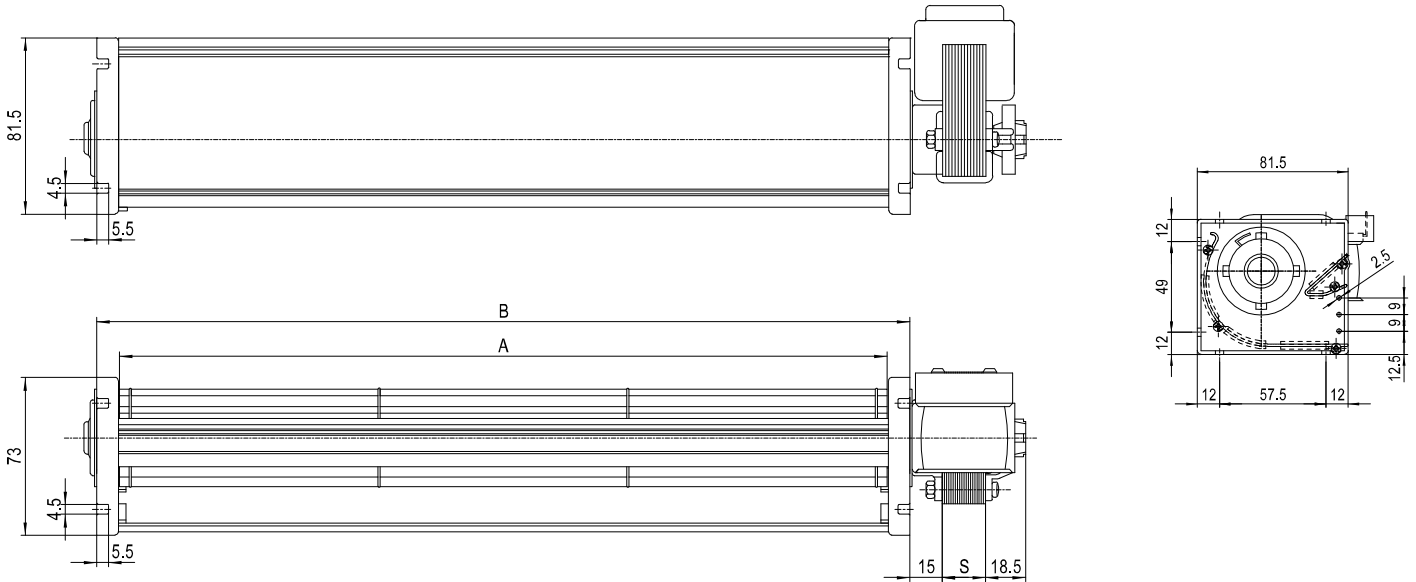
Blower	A	B	C	D	E
45x120	120	144	42-60	39	47
45x180	180	204	42-60	69	77
45x240	240	264	42-60	89	106
45x300	300	324	42-60	128	136
45x360	360	384	42-60	158	166

- Standard for all motor types
- Insulation Class: B, F or H
- Voltage/Frequency: 110VAC-240VAC; 50/60Hz
- The blower can also be supplied with a heating element
- Stack size (S) : 0.375" / 0.5" / 0.75" / 0.875" / 1.00" / 1.125" / 1.375" / 1.50" / 2.00"

Alternative motor angles



Product Data Sheet



A mid range option that is in regular use in electric fires, floor convectors and refrigerators.

Standard for all motor types: insulation class B, F, or H; motor available with encapsulated bobbin.

230V, 50/60Hz alt. 120V 50/60Hz

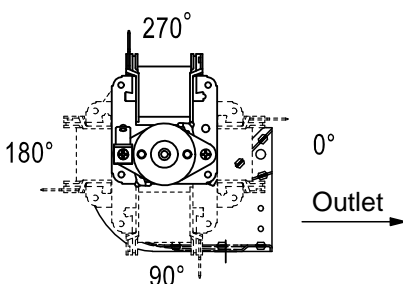
Special low profile through-flow version also available.

Stack size (S) : 0.375" / 0.5" / 0.75" / 0.875" / 1.00" / 1.125" / 1.375" / 1.50" / 2.00"

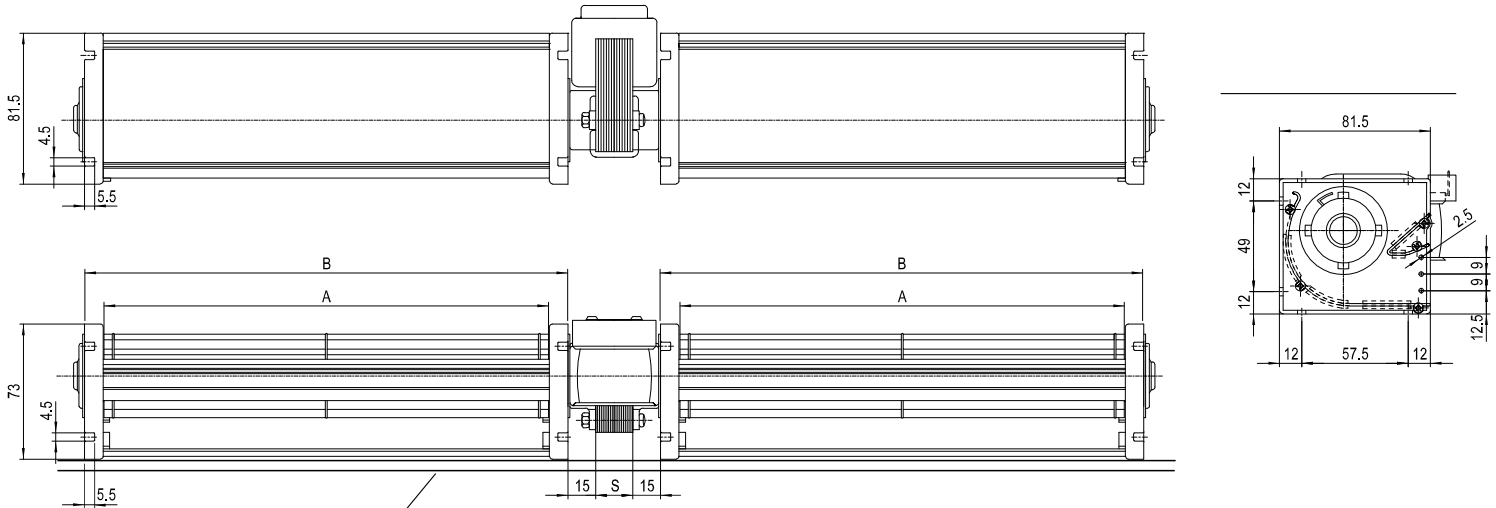
Blower	A	B
45/1-100	100	121
45/1-120	120	141
45/1-150	150	171
45/1-180	180	201
45/1-200	200	221
45/1-240	240	261
45/1-250	250	271
45/1-300	300	321
45/1-360	360	381

- Airflow: Up to 200 m³/h
- Input Power: Up to 40W
- Pressure: Up to 40Pa
- Speed: Up to 2600RPM

Alternative motor angles



Product Data Sheet



Mounting bracket

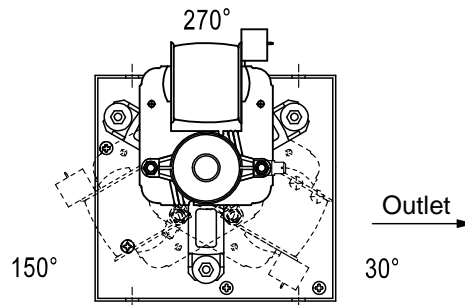
A mid range option that is in regular use in electric fires, microwave ovens and refrigerators.

Stack size (S) : 0.375" / 0.5" / 0.75" / 0.875" / 1.00" / 1.125" / 1.375" / 1.50" / 2.00"

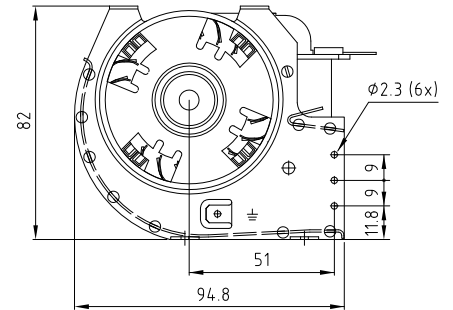
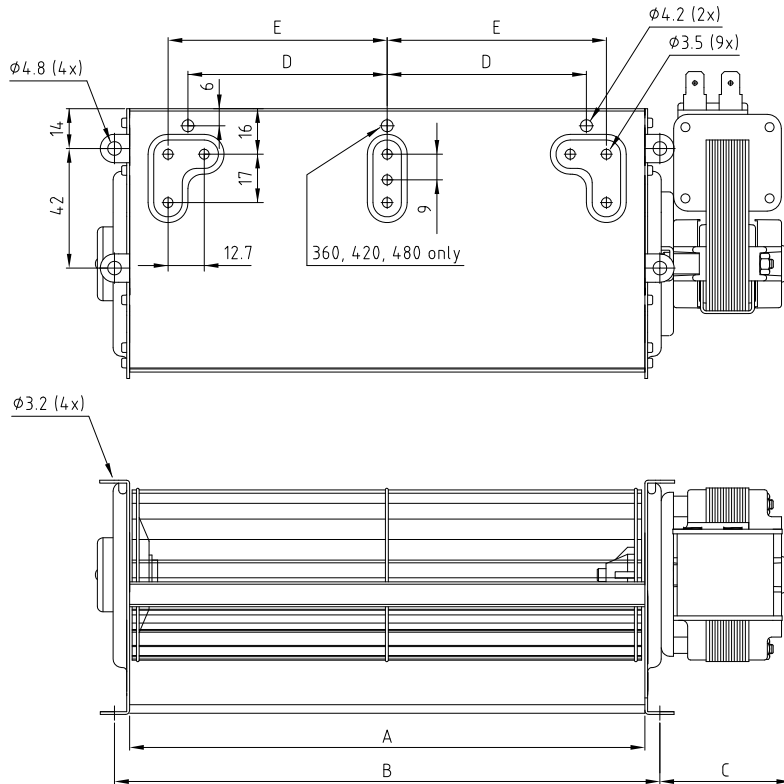
- Standard for all motor types
- Insulation Class: B, F or H
- Voltage/Frequency: 110VAC-240VAC; 50/60Hz
- The blower can also be supplied with a heating element
- Airflow: Up to 330m³/h
- Input Power: Up to 40W
- Pressure: Up to 40Pa
- Speed: Up to 2000RPM

Blower	A	B
45/1-100	100	121
45/1-120	120	141
45/1-150	150	171
45/1-180	180	201
45/1-200	200	221
45/1-240	240	261
45/1-250	250	271
45/1-300	300	321
45/1-360	360	381

Alternative motor angles



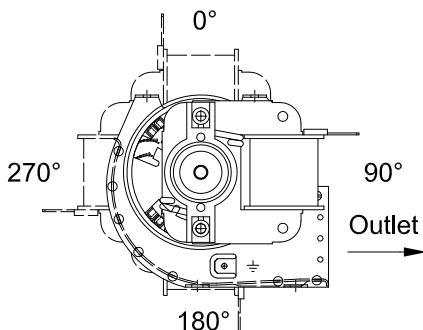
Product Data Sheet



Blower	A	B	C	D	E
60x120	121	132.2	45-75	-	-
60x180	181	192.2	45-75	70	77
60x202	204	215.2	45-75	70	77
60x240	242	253.2	45-75	70	106
60x300	303	314.2	45-75	95.7	136
60x360	366	377.2	45-75	170	156
60x420	424	435.2	45-75	170	180
60x480	485	496.2	45-75	170	228.9

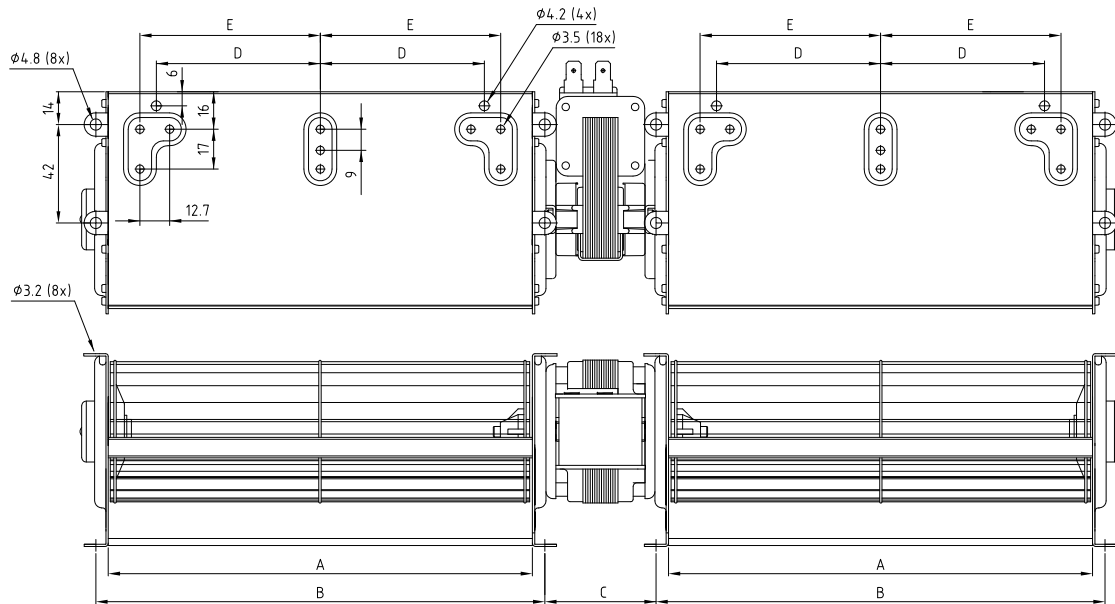
- Standard for all motor types
- Insulation Class: B, F or H
- Voltage/Frequency: 110VAC-240VAC; 50/60Hz
- The blower can also be supplied with a heating element

Alternative motor angles



Motor Type	Input W	Output W	Insulation Class	Volt / Hz
C-frame Motor	12	1	B/F/H	230/115 / 50/60
C-frame Motor	18	2	B/F/H	230/115 / 50/60
C-frame Motor	25	2.5	B/F/H	230/115 / 50/60
C-frame Motor	35	3	B/F/H	230/115 / 50/60
C-frame Motor	40	3.5	B/F/H	230/115 / 50/60
C-frame Motor	50	4	B/F/H	230/115 / 50/60

Product Data Sheet

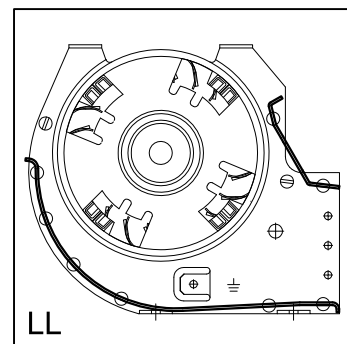
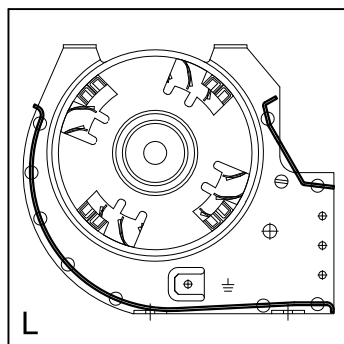
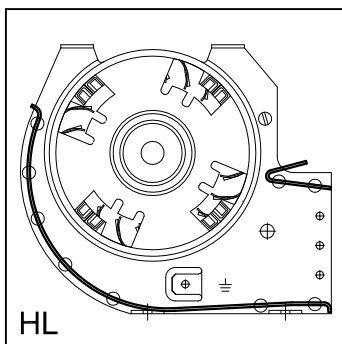


Blower	A	B	C	D	E
60x180 L+R	181	192.2	45-75	70	77
60x240 L+R	242	253.2	45-75	70	106
60x300 L+R	303	314.2	45-75	95.7	136

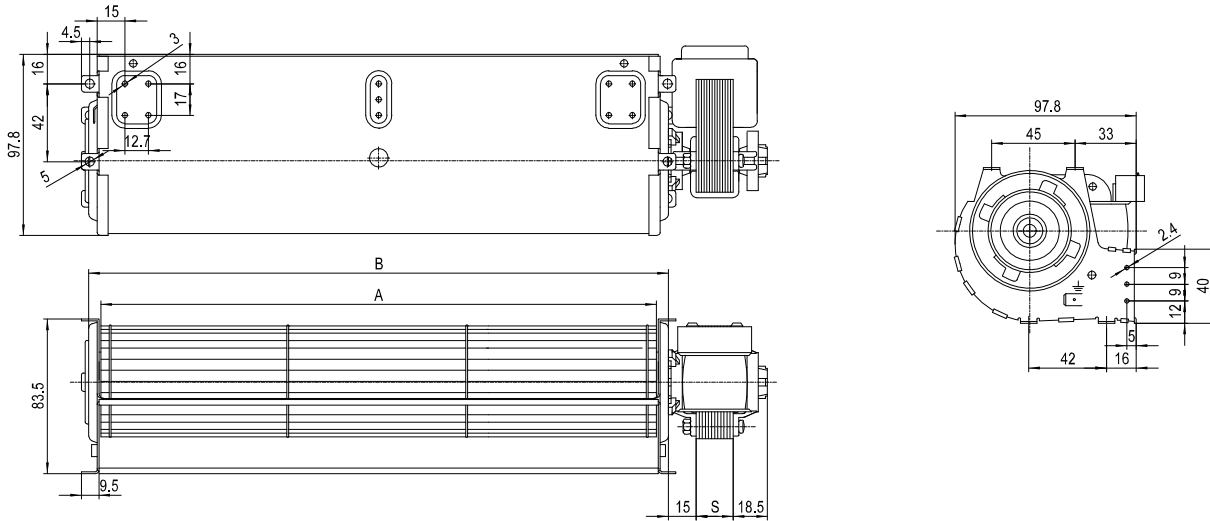
Altran's crossflow blowers can be delivered as double crossflow blowers with a double shafted C-Frame motor. Normally the double crossflow blowers are delivered in the lengths 180, 240 and 300. When a bigger airflow than that of an 60x300 double is required, two crossflow blowers with separate motors would be recommended.

Motor Type	Input W	Output W	Insulation Class	Volt / Hz
C-frame Motor	25	2.5	B/F/H	230/115 / 50/60
C-frame Motor	35	3	B/F/H	230/115 / 50/60
C-frame Motor	45	3.5	B/F/H	230/115 / 50/60
C-frame Motor	55	4	B/F/H	230/115 / 50/60

Alternative types of NCB 60 housing



Product Data Sheet



A mid range option that is in regular use in electric fires, floor convectors and refrigerators.

Standard for all motor types: insulation class F or H; motor available with encapsulated bobbin.

230V, 50/60Hz alt. 120V, 50/60Hz

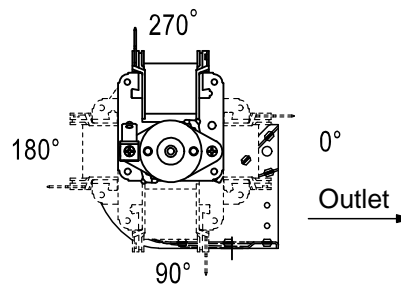
Special low profile through-flow version also available

Stack size (S) : 0.375" / 0.5" / 0.75" / 0.875" / 1.00" / 1.125" / 1.375" / 1.50" / 2.00"

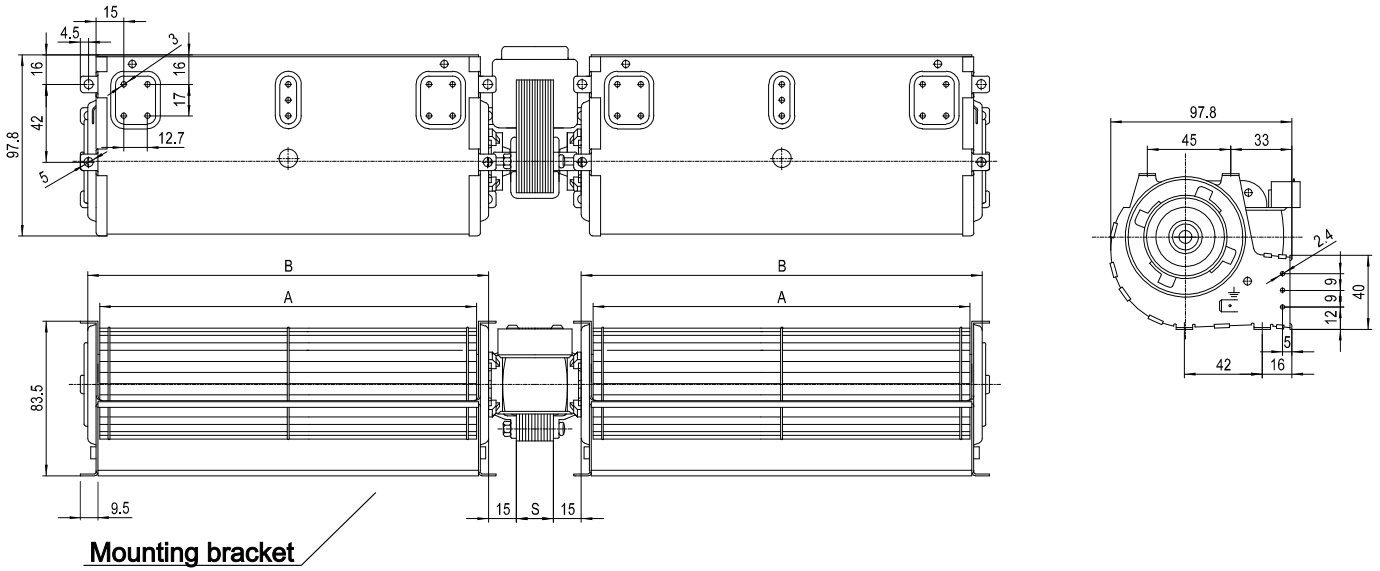
Blower	A	B
60/1-60	60	73
60/1-90	90	103
60/1-120	120	133
60/1-180	180	193
60/1-240	240	253
60/1-270	270	283
60/1-300	300	313
60/1-330	330	343
60/1-360	360	373
60/1-420	420	433
60/1-480	480	493
60/1-505	505	518
60/1-550	550	563
60/1-605	605	618

- Airflow: Up to 380 m³/h
- Input Power: Up to 80W
- Pressure: Up to 9Pa
- Speed: Up to 2800RPM

Alternative motor angles



Product Data Sheet



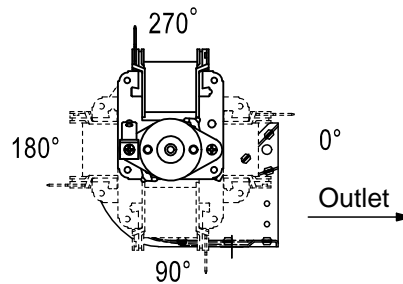
Used in a wide range of products such as, pellet stoves and refrigerators.

Stack size (S) : 0.375" / 0.5" / 0.75" / 0.875" / 1.00" / 1.125" / 1.375" / 1.50" / 2.00"

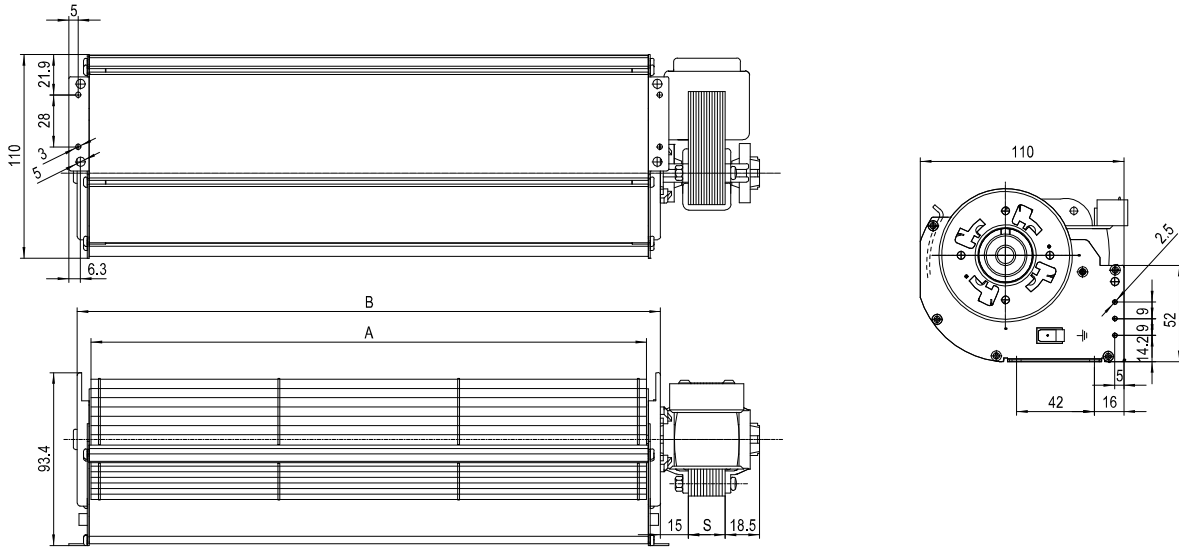
- Standard for all motor types
- Insulation Class: B, F or H
- Voltage/Frequency: 110VAC-240VAC; 50/60Hz
- The blower can also be supplied with a heating element
- Airflow: Up to 400m³/h
- Input Power: Up to 70W
- Pressure: Up to 65Pa
- Speed: Up to 2100RPM

Blower	A	B
60/1-60	60	73
60/1-90	90	103
60/1-120	120	133
60/1-180	180	193
60/1-240	240	253
60/1-270	270	283
60/1-300	300	313
60/1-330	330	343
60/1-360	360	373

Alternative motor angles



Product Data Sheet



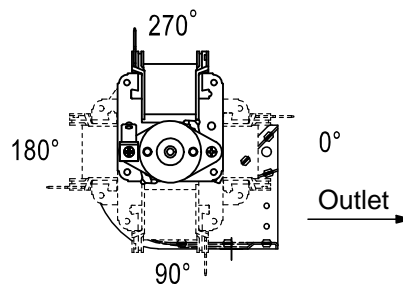
Used in a wide range of products such as ovens, pellet stoves, vending machines and refrigerators, motor available with encapsulated bobbin and/or hall sensor

Stack size (S) : 0.375" / 0.5" / 0.75" / 0.875" / 1.00" / 1.125" / 1.375" / 1.50" / 2.00"

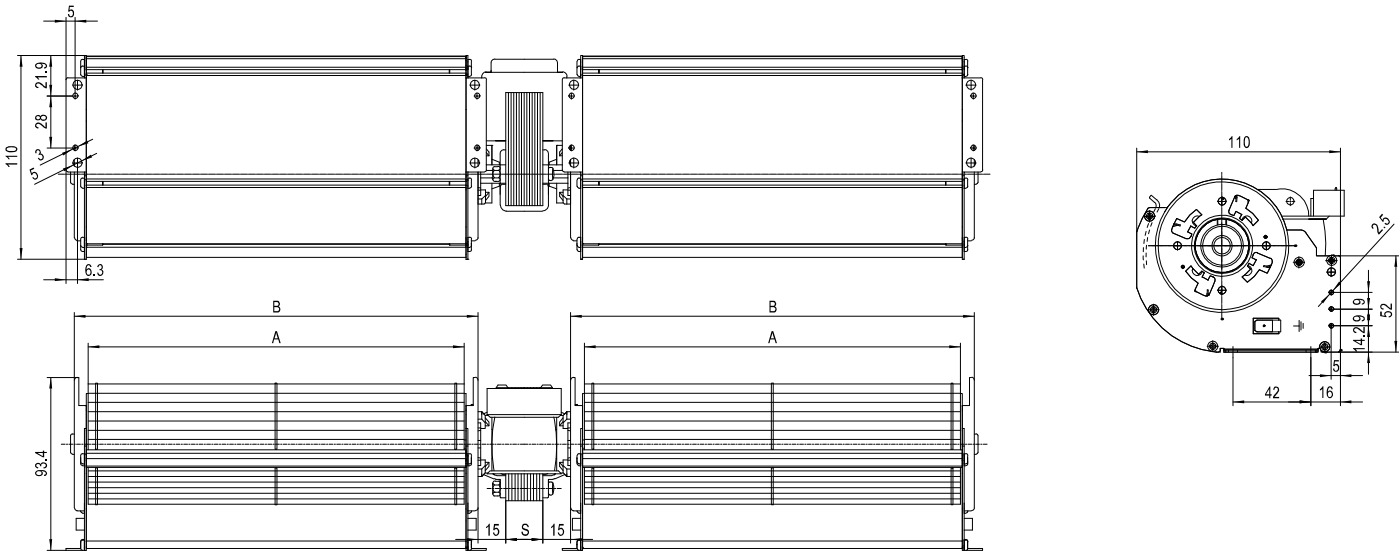
- Standard for all motor types
- Insulation Class: B, F or H
- Voltage/Frequency: 110VAC-240VAC; 50/60Hz
- The blower can also be supplied with a heating element
- Airflow: Up to 330 m³/h
- Input Power: Up to 90W
- Pressure: Up to 90Pa
- Speed: Up to 2300RPM

Blower	A	B
65/1-180	180	195
65/1-220	220	235
65/1-240	240	255
65/1-270	270	285
65/1-300	300	315
65/1-360	360	375

Alternative motor angles



Product Data Sheet



Mounting bracket

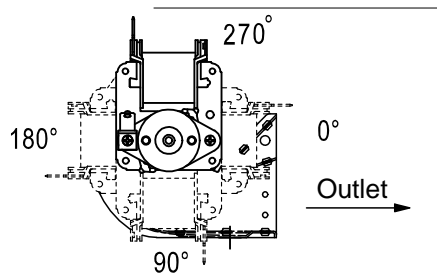
Used in a wide range of products such as, pellet stoves and refrigerators.

Stack size (S) : 0.375" / 0.5" / 0.75" / 0.875" / 1.00" / 1.125" / 1.375" / 1.50" / 2.00"

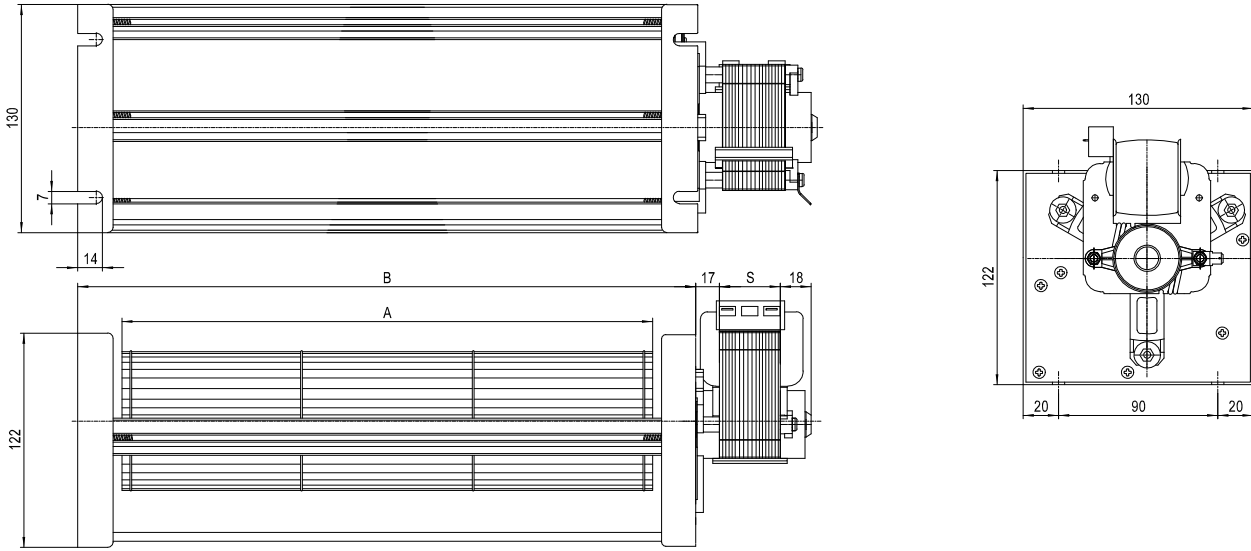
- Standard for all motor types
- Insulation Class: B, F or H
- Voltage/Frequency: 110VAC-240VAC; 50/60Hz
- The blower can also be supplied with a heating element
- Airflow: Up to 420m³/h
- Input Power: Up to 70W
- Pressure: Up to 60Pa
- Speed: Up to 1400RPM

Blower	A	B
65/1-180	180	195
65/1-220	220	235
65/1-240	240	255
65/1-270	270	285
65/1-300	300	315
65/1-360	360	375

Alternative motor angles



Product Data Sheet



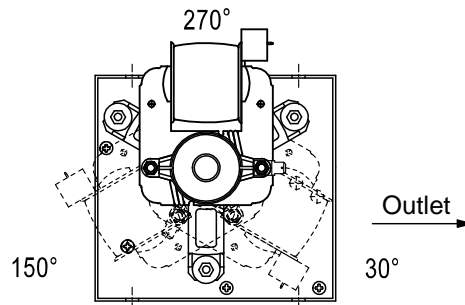
Used in a wide range of products such as ovens, pellet stoves and refrigerators.

Stack size (S) : 0.375" / 0.5" / 0.75" / 0.875" / 1.00" / 1.125" / 1.375" / 1.50" / 2.00"

- Standard for all motor types
- Insulation Class: B, F or H
- Voltage/Frequency: 110VAC-240VAC; 50/60Hz
- The blower can also be supplied with a heating element
- Airflow: Up to 290m³/h
- Input Power: Up to 75W
- Pressure: Up to 48Pa
- Speed: Up to 1120RPM

Blower	A	B
80/1-180	180	230
80/1-220	220	270
80/1-240	240	290
80/1-270	270	320
80/1-300	300	350
80/1-330	330	380
80/1-360	360	410

Alternative motor angles





GET IN TOUCH



+1-815-632-3150



sales@altranmagnetics.com



www.altranmagnetics.com



1741 Industrial Drive, No 14,
Sterling, IL 61081

