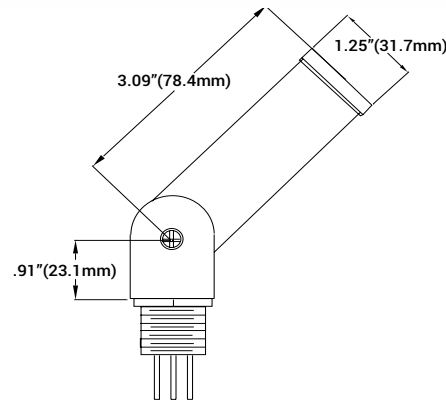


P-106 SERIES PHOTOCELLS

P-106 Series photocells highlight a tubular design with an onsite adjustable pivoted base perfect for compact spaces with a high impact weather resistant UV stabilized polycarbonate housing. Our 30-45 second time delay prevents undesirable OFF/ON operations from sudden outdoor light levels including headlights and lightning strikes with energy saving dusk to dawn sensors.

Product Features:

- On-site Adjustable Pivot Base
- Ideal for Compact Spaces
- 30-45 Second Time Delay
- Fail Safe
- ANSI C136.10 Compliant
- UL/CSA Listed (CUL)
- Design Life at Rated Load: 5,300 Cycles (10+ years)
- 10 Year Product Warranty



Specifications:

Physical

Enclosure: Designed to meet UL 773A
Power Consumption: Less than 0.9Watts (avg.) at 120VAC

Temperature Range

-40°F to 158°F (-40°C to +70°C) at 96% RH

Light Sensor

Cadmium Sulfide Cell

Control

SPST Thermal Bi-metal Switch

P-106 Series Product Selection Information

XXX - Denotes Optional Customer Number

Model	AMI P-106-01-6-XXX	AMI P-106-03-6-XXX
Rated Volts (VAC)	120	208/240/277
Voltage Range (Volts)	105-130	185-305
Load Rating Tungsten (Watts)	1800	1200
Load Rating Ballast (VA)	1100	1100

P-106 Series Technical Data

Voltage Range	Fail Mode	Housing	Lead Wires	Nipple	Nut
105 - 305 VAC	ON (contacts normally closed)	Polycarbonate with UV stabilized window	6", #18 AWG, 105°C	½" pipe	½" pipe, die-cast