

## Features

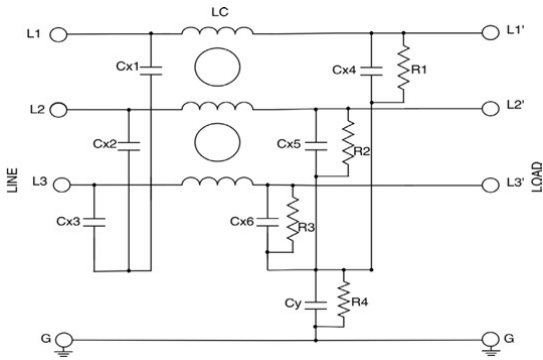
- High EMI attenuation
- Rated up to 1000A
- Book-style with convenient size
- Available with protective cover

## Applications

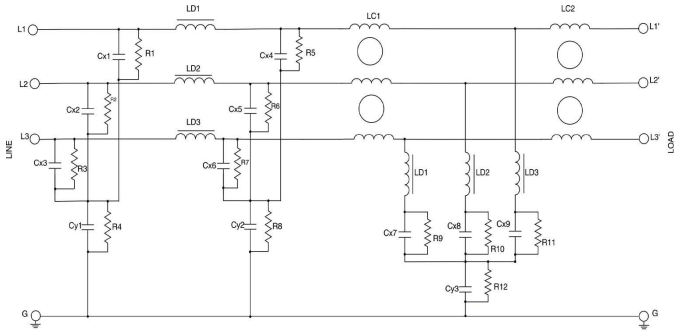
- Inverters, converters
- Process automation equipment
- Machine tool and machinery equipment
- Three-phase power supplies

## Typical Circuit Diagram

Standard EMI Environments (10A-100A)



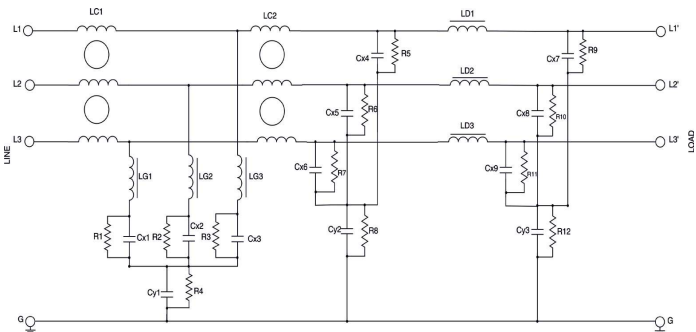
Standard EMI Environments (150A-1000A)



## Approvals & Compliances





High Impedance Load EMI Environment (> 100 Ohm)





## Technical Specifications



Maximum continuous operating voltage:	520VAC
Operating Frequency:	50/60 Hz
Rated Currents:	10A to 1000A @ 50°C
High Potential test voltage:	L -> G 2856 VDC for 2 sec L -> L 2236 VDC for 2 sec
Overload Capability:	4x rated current at switch on 135% of rated current for 15Mins
Flammability corresponding to:	UL 94 V-0 or better
Temperature range:	-25°C to +100°C
Climatic class:	25/100/21
Design corresponding to:	UL 60939-3 & IEC 60939
Protection category:	IP 20 (10A to 100 A) IP 00 (150A to 1000 A)

## Selection Table

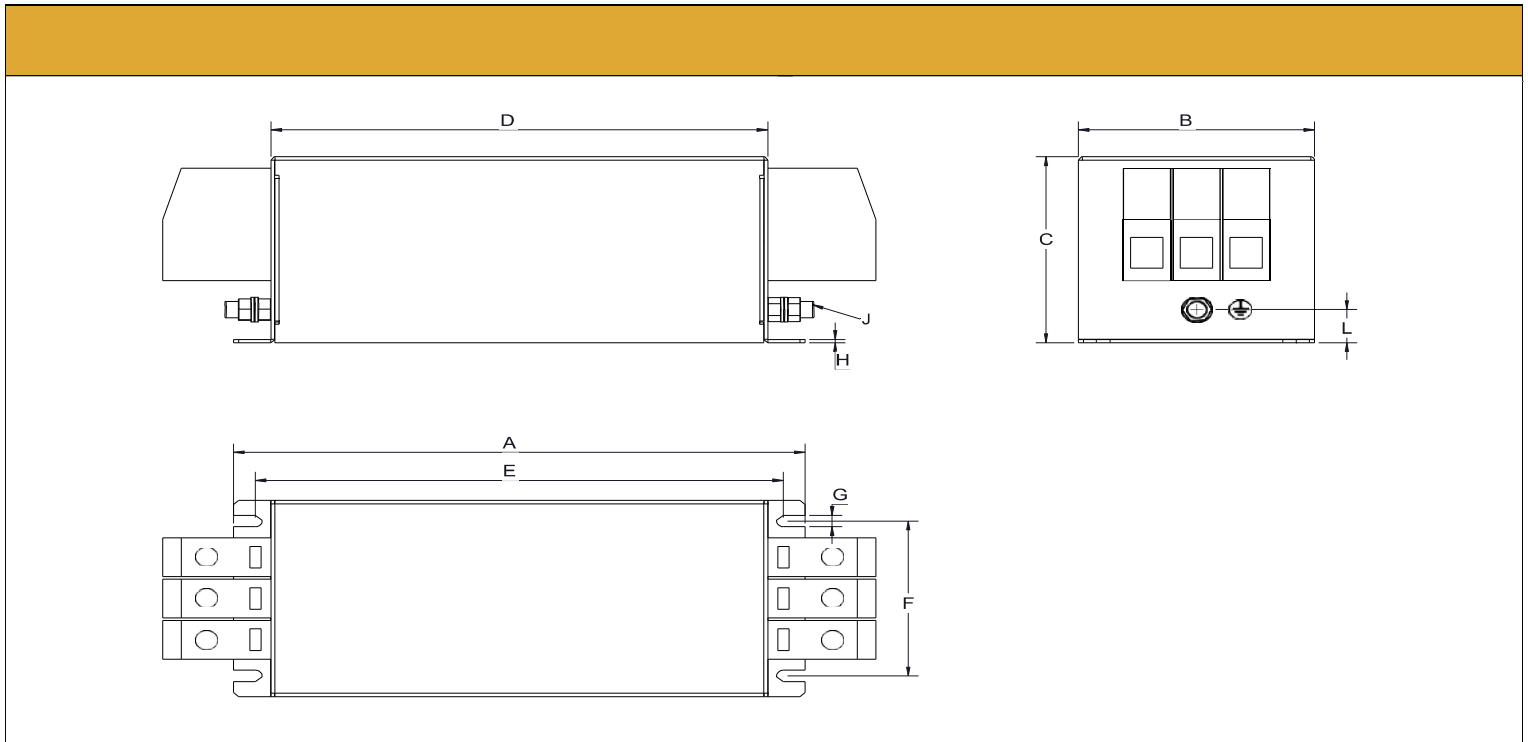
Standard EMI Environments / Standard Leakage Currents						
Available Part Numbers	Current Rating @ 50°C A	Leakage current @ 520 VAC/50 Hz (mA)	Power loss @25°C / 50Hz (W)	Termination		Weight Approx. (kgs)
						
AMI-3070-10-06	10	3.5	2.5	-2 (06)	-	0.4
AMI-3070-20-06	20	3.5	4.5	-2 (06)	-	0.5
AMI-3070-35-06	35	4	7	-2 (06)	-	0.7
AMI-3070-50-16	50	4	13	-2 (16)	-	1.2
AMI-3070-65-16	65	4	13.5	-2 (16)	-	1.5
AMI-3070-80-35	80	4	13.5	-2 (35)	-	2.5
AMI-3070-100-50	100	4	17.5	-2 (50)	-	3
AMI-3070-150-BB	150	7	7.5	-	BB	6.5
AMI-3070-200-BB	200	7	13.5	-	BB	6.5
AMI-3070-250-BB	250	7	21	-	BB	6.5
AMI-3070-320-BB	320	7	12.5	-	BB	7.5
AMI-3070-400-BB	400	7	20.5	-	BB	7.5
AMI-3070-600-BB	600	7	36	-	BB	8
AMI-3070-800-BB	800	7	52	-	BB	16
AMI-3070-1000-BB	1000	7	81	-	BB	16

Standard EMI Environments / Low Leakage Current						
Available Part Numbers	Current Rating @ 50°C A	Leakage current @ 520 VAC/50 Hz (mA)	Power loss @25°C / 50Hz (W)	Termination		Weight Approx.(kgs)
						
AMI-3070L-10-06	10	0.5	2.5	-2(06)	-	0.4
AMI-3070L-20-06	20	0.5	4.5	-2 (06)	-	0.5
AMI-3070L-35-06	35	0.5	7	-2 (10)	-	0.7
AMI-3070L-50-16	50	0.5	13	-2 (16)	-	1.2
AMI-3070L-65-16	65	0.5	13.5	-2 (16)	-	1.5
AMI-3070L-80-35	80	0.5	13.5	-2 (35)	-	2.5
AMI-3070L-100-50	100	0.5	17.5	-2 (35)	-	3
AMI-3070L-150-BB	150	1	7.5	-	BB	6.5
AMI-3070L-200-BB	200	1	13.5	-	BB	6.5
AMI-3070L-250-BB	250	1	21	-	BB	6.5
AMI-3070L-320-BB	320	1	12.5	-	BB	7.5
AMI-3070L-400-BB	400	1	20.5	-	BB	7.5

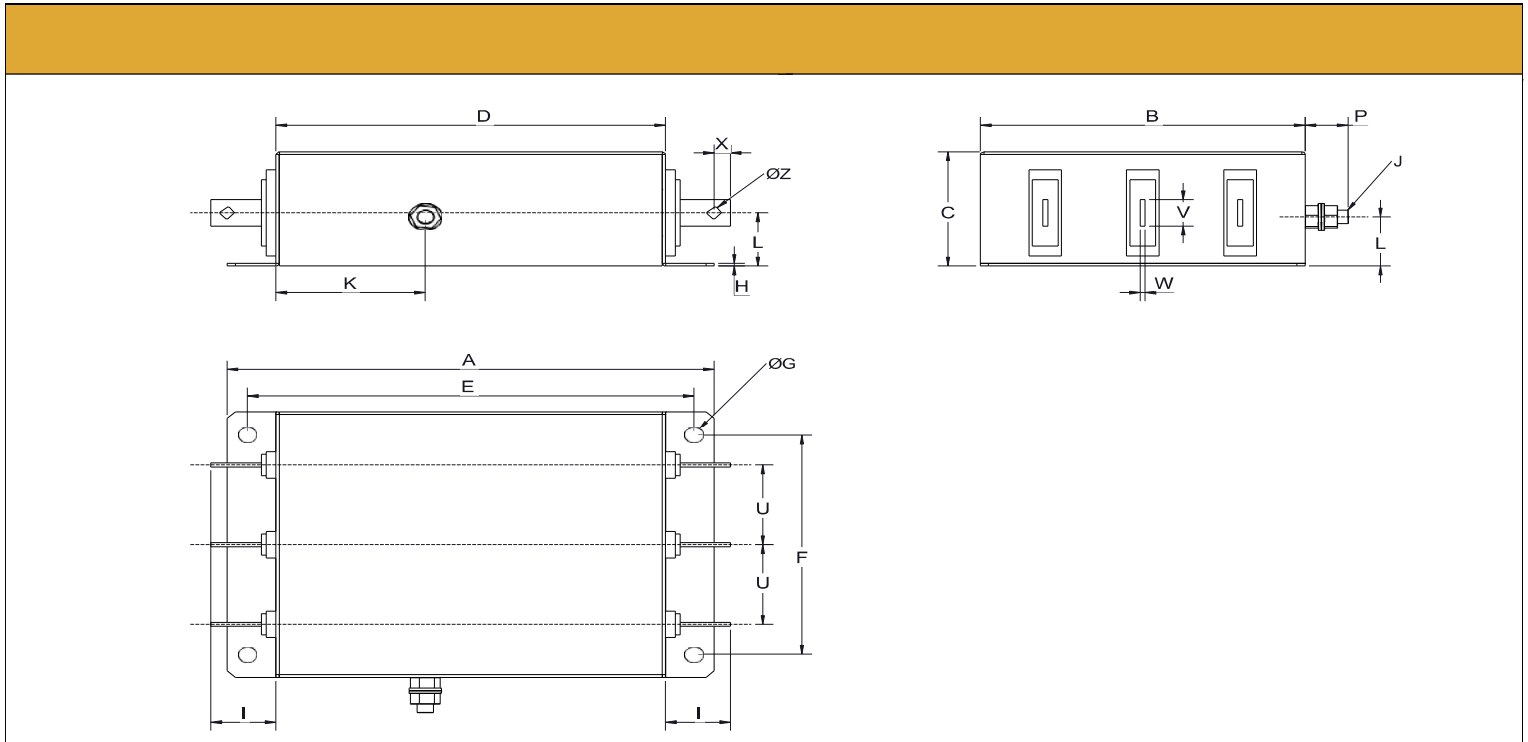
## Selection Table

High Impedance Load EMI Environment / Standard Leakage Current						
Available Part Numbers	Current Rating @ 50°C A	Leakage current @ 520 VAC/50 Hz (mA)	Power loss @25°C / 50Hz (W)	Termination		Weight Approx. (kgs)
						
AMI-3070Z-150-BB	150	7	7.5	-	BB	6.5
AMI-3070Z-200-BB	200	7	13.5	-	BB	6.5
AMI-3070Z-250-BB	250	7	21	-	BB	6.5
AMI-3070Z-320-BB	320	7	12.5	-	BB	7.5
AMI-3070Z-400-BB	400	7	20.5	-	BB	7.5
AMI-3070Z-600-BB	600	7	36	-	BB	8
AMI-3070Z-800-BB	800	7	52	-	BB	16
AMI-3070Z-1000-BB	1000	7	81	-	BB	16

## Mechanical Drawing



## Mechanical Drawing



## Mechanical Dimensions:

	10A	20A	35A	50A	65A	80A	100A	150A	200A	250A	320A	400A	600A	800A	1000A
A	150	150	160	170	170	200	230	300	300	300	300	300	300	370	370
B	58	58	70	85	85	95	95	200	200	200	200	200	200	190	190
C	58	58	68	80	80	90	90	86	86	86	86	86	86	125	125
D	120	120	130	140	140	170	200	240	240	240	240	240	240	310	310
E	132.5	132.5	142.5	152.5	152.5	182.5	212.5	275	275	275	275	275	275	345	345
F	42	42	50	65	65	75	75	165	165	165	165	165	165	155	155
G	4.5	4.5	5.5	5.5	5.5	5.5	5.5	φ11	φ11	φ11	φ11	φ11	φ11	φ11	φ11
H	1	1	1	1	1	1.5	1.5	2	2	2	2	2	2	3	3
I								40	40	40	40	40	40	50	50
J	M4	M4	M5	M6	M6	M8	M8	M10	M10	M10	M10	M10	M10	M12	M12
K								92	92	92	92	92	92	138	138
L	20.5	20.5	20	15	15	16	16	37	37	37	37	37	37	67	67
M								380	380	380	380	380	380	610	610
N								210	210	210	210	210	210	200	200
P								26.5	26.5	26.5	26.5	26.5	26.5	29	29
U								60	60	60	60	60	60	60	60
V								20	20	20	25	25	25	40	40
W								3	3	3	6	6	8	8	8
X								10	10	10	12.5	12.5	12.5	20	20
Z								φ9	φ9	φ9	φ11	φ11	φ11	φ13.5	φ13.5

## Connector Cross Sections:

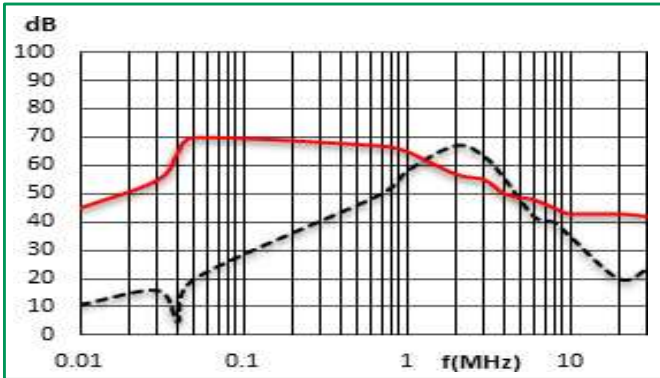
	6	16	35	50	95
Wire range	8 to 26 AWG	4 to 20 AWG	2 to 8 AWG	6 to 1/0 AWG	AWG 4/0
Stripping Length	9mm	16mm	19mm	24mm	27mm
Recommended torque	1.2	2	2	2.5-3	3.5-6

## Typical Insertion Loss

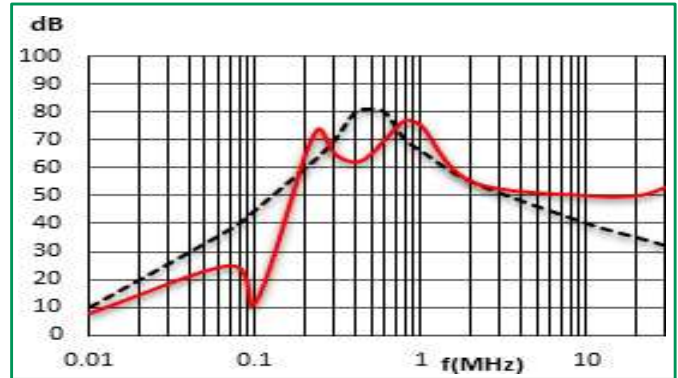
According to CISPR17 in 50 Ω system

— Common Mode / Asymmetrical (L-G)  
 — Differential Mode / Symmetrical (L-L)

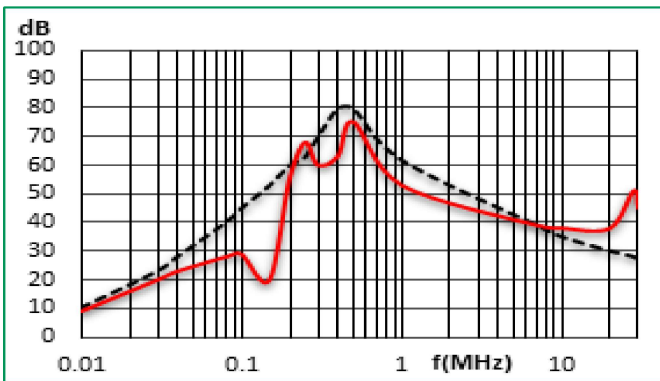
### 10A to 20A Types



### 35A to 65A Types



### 80A to 100A Types



### 150A to 1000A Types

