

Power Inlet Filter for Medical Equipment



AMI-M11AR/M11AS Series

Metal Enclosure Single Phase Single Stage

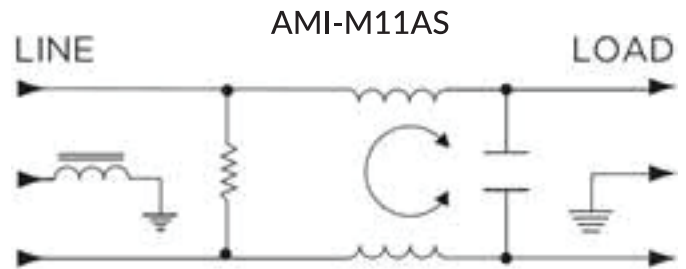
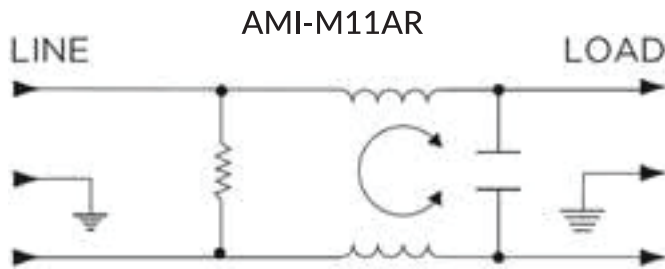
AMI Designation	Input/output Style						Current Rating	Inductance mH	Capacitance		Resistor KΩ	Leakage Current @ 120 VAC 60Hz/250 VAC 50 Hz μA	TIL Insertion Loss	Case Style
	6.3mm Spade Terminals	Spade Terminals (Back)	Spade Terminals (Bottom)	Wire Leads	Wire Leads (Back)	Wire Leads (Bottom)			Cx nF	Cy pF				
AMI-M11AR-1-3-A	1	-	-	-	-	-	3	1	10	0	1500	2μA/5μA	001	A
AMI-M11AR-3-3-A	-	-	-	3	-	-	3	1	10	0	1500	2μA/5μA	001	B
AMI-M11AR-1-6-A	1	-	-	-	-	-	6	0.465	10	0	1500	2μA/5μA	002	A
AMI-M11AR-3-6-A	-	-	-	3	-	-	6	0.465	10	0	1500	2μA/5μA	002	B
AMI-M11AR-4-6-A	-	4	-	-	-	-	6	0.465	10	0	1500	2μA/5μA	002	C
AMI-M11AR-5-6-A	-	-	-	-	-	5	6	0.465	10	0	1500	2μA/5μA	002	E
AMI-M11AR-8-6-A	-	-	-	-	8	-	6	0.465	10	0	1500	2μA/5μA	002	F
AMI-M11AR-9-6-A	-	-	9	-	-	-	6	0.465	10	0	1500	2μA/5μA	002	D
AMI-M11AR-1-10-A	1	-	-	-	-	-	10	0.36	10	0	1500	2μA/5μA	003	A
AMI-M11AR-3-10-A	-	-	-	3	-	-	10	0.36	10	0	1500	2μA/5μA	003	B
AMI-M11AR-4-10-A	-	4C	-	-	-	-	10	0.36	10	0	1500	2μA/5μA	003	C
AMI-M11AS-4C-10-A	-	4	-	-	-	-	10	0.36	10	0	1500	2μA/5μA	003	C
AMI-M11AR-4-15-A	-	4	-	-	-	-	15	0.27	47	0	1500	2μA/5μA	004	C

*AMI-M11AS-4C-10-A

└── Ground Circuit Inductor

Power Inlet Filter for Medical Equipment

Electrical Schematic



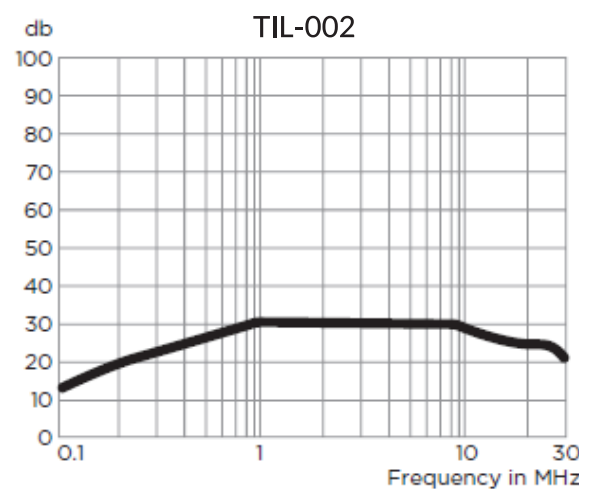
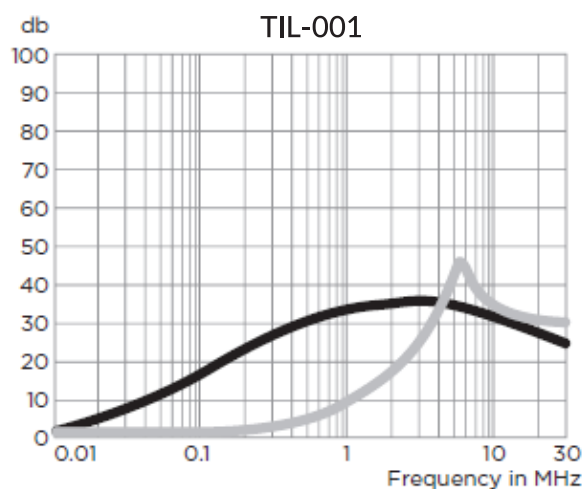
Specifications:

- Rated Voltage (max): 250 VAC
- Operating Frequency: 50/60 Hz
- Operating Current: 3 to 15A
- Hi-pot Rating (one minute): Line to Ground: 2250 VDC
Line to Line: 1450 VDC
- Operating Ambient Temperature Range (at rated current I_r): -10°C to $+40^{\circ}\text{C}$. In an ambient temperature (T_a) higher than $+40^{\circ}\text{C}$ the maximum operating current (I_o) is calculated as follows: $I_o = I_r \sqrt{[(85 - T_a)/45]}$

Performance Data

Typical Insertion Loss

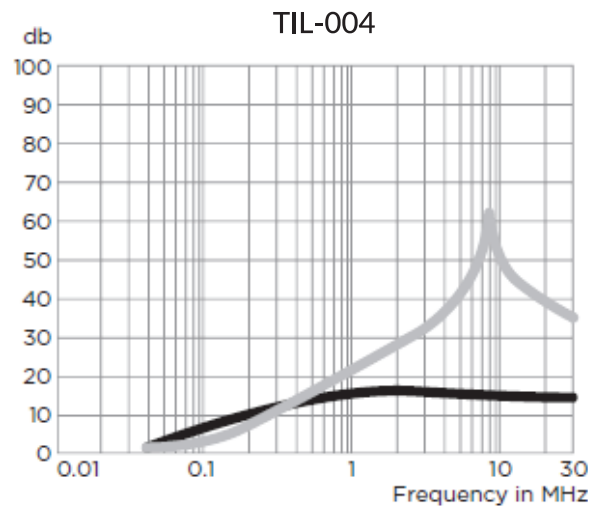
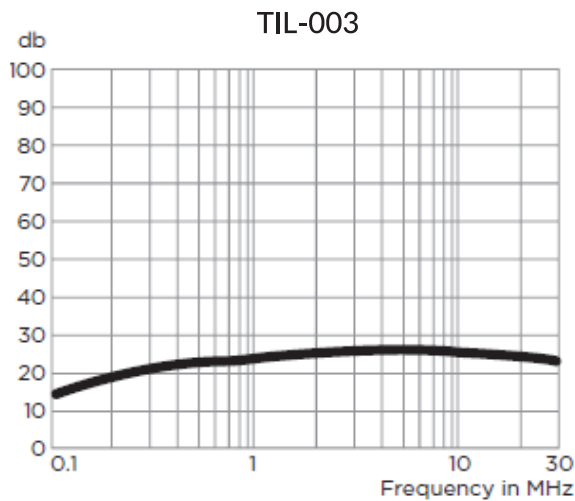
Measured in closed 50 Ohm system



Power Inlet Filter for Medical Equipment

Performance Data Typical Insertion Loss

Measured in closed 50 Ohm system



— Common Mode / Asymmetrical (L-G)
— Differential Mode / Symmetrical (L-L)

Minimum Insertion Loss

Measured in closed 50 Ohm system

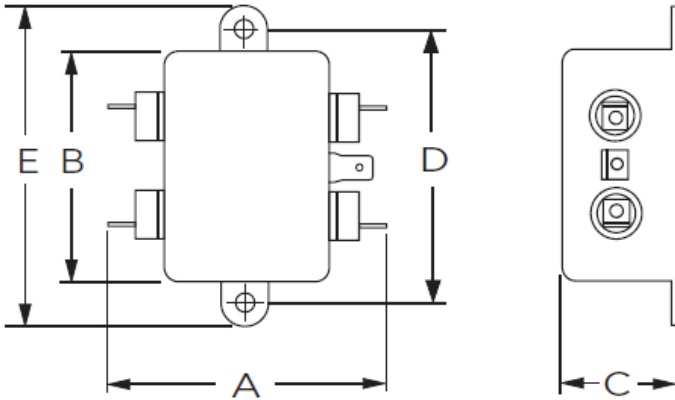
Common Mode/Asymmetrical (Line to Ground)

Current Rating	Frequency-MHz					
	.15	.5	1	5	10	30
3A	18	27	30	30	27	18
6A	9	16	20	26	23	18
10A	7	13	15	17	16	14
15A	5	9	11	12	11	9

Power Inlet Filter for Medical Equipment

Case Styles

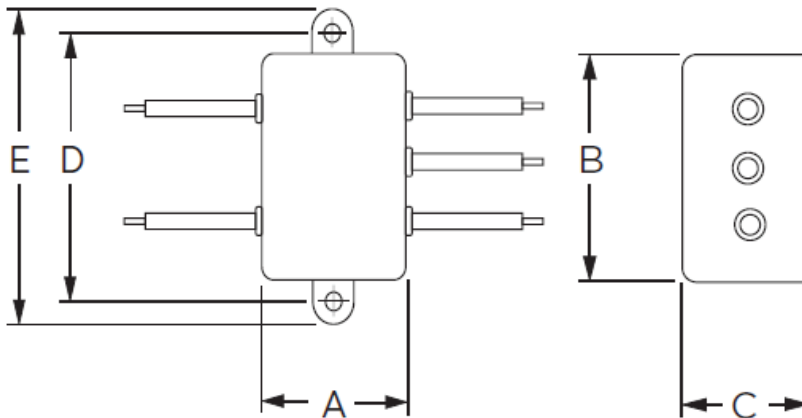
STYLE A



Typical Dimensions:

Mounting Holes:	.188 [4.78] Dia.
Line / Load Terminals (4):	.250 [6.3] with .07 [1.8] Dia. hole
Ground Terminal (1):	.250 [6.3] with .07 x .16 [1.8 x 3.8] slot

STYLE B



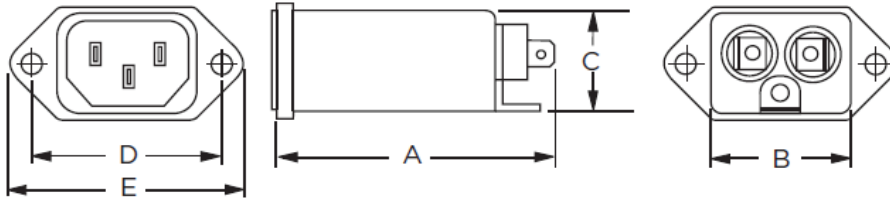
Typical Dimensions:

Mounting Holes:	.188 [4.78] Dia.
Wire Leads(5):	4.0 [101.6] Min., 18AWG, UL1015

Power Inlet Filter for Medical Equipment

Case Styles

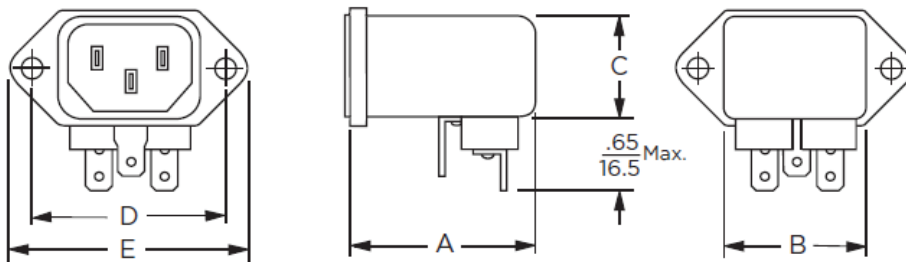
STYLE C



Typical Dimensions:

Line Inlet (1):	IEC 60320-1 C14
Load Terminals (2):	.250 [6.3] with .07 [1.8] Dia. hole
Ground Terminal (1):	.250 [6.3] with .07 x .16 [1.8 x 3.8] slot

STYLE D



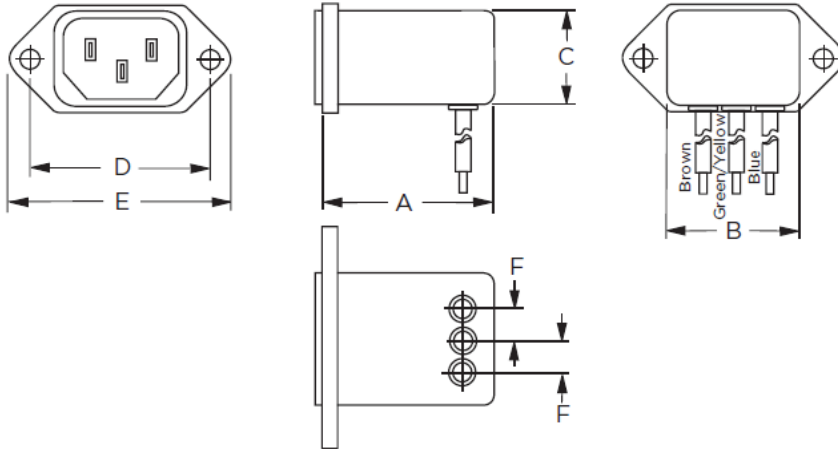
Typical Dimensions:

Line Inlet (1):	IEC 60320-1 C14
Load Terminals (2):	.250 [6.3] with .07 [1.8] Dia. hole
Ground Terminal (1):	.250 [6.3] with .07 x .16 [1.8 x 3.8] slot

Power Inlet Filter for Medical Equipment

Case Styles

STYLE E

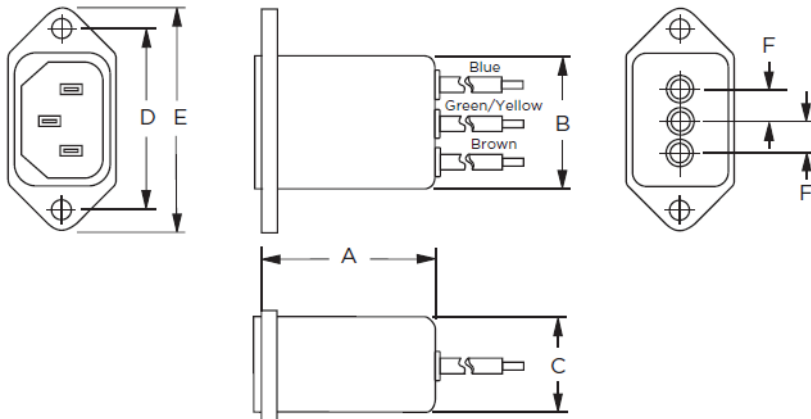


Typical Dimensions:

Line Inlet (1):
Wire Leads:

IEC 60320-1 C14
4.0 [101.6] Min., 18AWG, UL1015

STYLE F



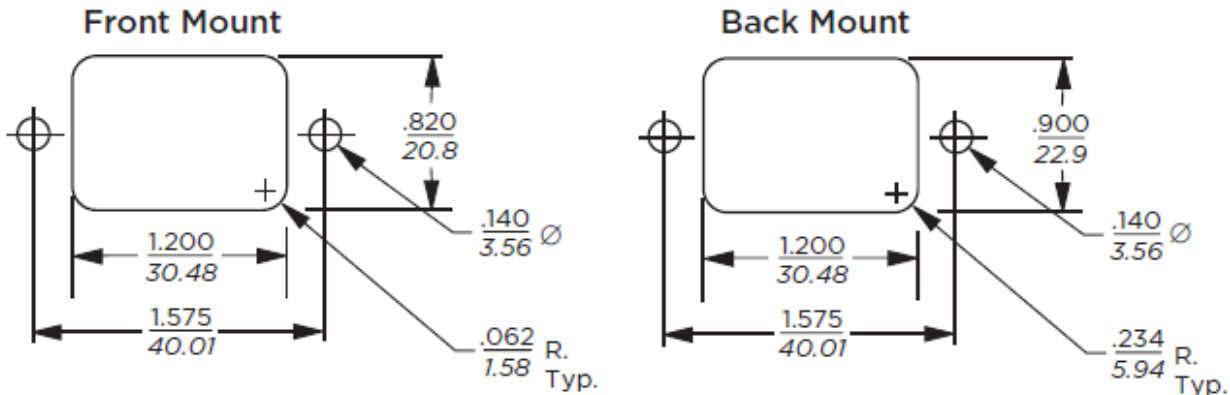
Typical Dimensions:

Line Inlet (1):
Wire Leads:

IEC 60320-1 C14
4.0 [101.6] Min., 18AWG, UL1015

Power Inlet Filter for Medical Equipment

Recommended Panel Cutouts



Tolerances $\pm .005$ [0.13] unless otherwise noted

- Note 1: H4, H4C and H8 allow for front or back mounting
 Note 2: H5 and H9 allow for back mounting only

Case Dimensions:

Model Number	A max	B max	C max	D $\begin{smallmatrix} \pm .15 \\ \pm .38 \end{smallmatrix}$	E max	F(ref.)
AMI-M11AR-1-X-A	2.25"/57.2mm	1.82"/46.1mm	0.66"/16.7mm	2.125"/53.98mm	2.53"/53.98mm	-
AMI-M11AR-3-X-A	0.96"/24.40mm	1.82"/46.1mm	0.66"/16.7mm	2.125"/53.98mm	2.53"/64.2mm	-
AMI-M11AR-4-6-A	2.20"/55.9mm	1.19"/30.2mm	0.81"/20.6mm	1.575"/40.01mm	1.98"/50.3mm	-
AMI-M11AR-4/4C-10-A	2.62"/66.5mm	1.19"/30.2mm	0.81"/20.6mm	1.575"/40.01mm	1.98"/50.3mm	-
AMI-M11AR-4-15-A	2.62"/66.5mm	1.19"/30.2mm	0.81"/20.6mm	1.575"/40.01mm	1.98"/50.3mm	-
AMI-M11AR-5-X-A	1.55"/39.4mm	1.19"/30.2mm	0.85"/21.6mm	1.575"/40.01mm	1.98"/50.3mm	0.295"/7.5mm
AMI-M11AR-8-X-A	1.56"/39.7mm	1.19"/30.2mm	0.81"/20.6mm	1.575"/40.01mm	1.98"/50.3mm	0.295"/7.5mm
AMI-M11AR-9-X-A	1.55"/39.4mm	1.19"/30.2mm	0.85"/21.6mm	1.575"/40.01mm	1.98"/50.3mm	-