

ALTRAN MAGNETICS

MOTOR AND BLOWER DIVISION

Manufacturers of Standard and Custom
Motors, Blowers, Assemblies, and Accessories



ABOUT US

Altran Magnetics, Inc. is a solution provider of standard and custom motors, blowers, assemblies, and accessories. With over 300 models in our portfolio, we are a leader in motor and blower technologies ranging from ventilation to general purpose power. Understanding that every application has its own unique electrical, mechanical and thermal requirements, our global design team can customize products to meet your specific application requirements.

Our Corporate Headquarters in Melbourne, Florida offers centralized customer service, domestic engineering support, and warehousing opportunities. Our 30 years in motor and blower manufacturing and ISO-9001-2008/ISO14000 approved Shanghai-based manufacturing facilities provide premium quality at market competitive cost structures.

We are an industry-focused, solution-oriented organization producing innovative products in a supportive and progressive environment for our customers, employees and suppliers. Continually seeking new and alternative methods of improving all facets of our business our goal is to become the preeminent supplier of standard and custom products to the leading markets we serve.



C-Frame Motors

189 Family5
238 Family6

Round Lamination Motors

228 Family8
3.3 Family9

AC Motors

120 V	29
140 V	30

ECM

Electronically Commutated Fan Motor	32
---	----

Blowers

Crossflow Blower	34
Sheet Metal Blower	34
4 x 4 Squirrel Cage Blower	35
Deep Drawn Blower	35

C-Frame Motor Kits & Accessories	36
--	----

Additional Altran Magnetics Solutions	37
---	----



C-FRAME MOTORS



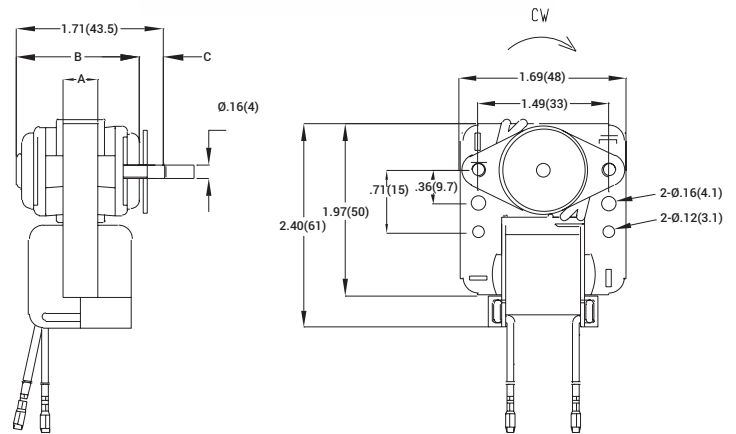
C-FRAME MOTORS

Altran Magnetics offers C-Frame Motors for applications including ventilation, electric heaters, air cleaners, humidifiers, vending and refrigeration equipment. Our general purpose motors with highly standardized dimensions and characteristics provide convenient mechanical power for industrial use.

189 FAMILY

Product Features:

- 1.89" lamination
- Heavy duty steel and die cast zinc construction
- Several shaft size options
- Multiple mounting schemes available
- Mechanical and fan duty applications
- A variety of termination configurations available
- Class A insulation is standard with other options, including Class H, available on a limited basis
- UL Recognized to standard 1004 (file E479191) and CSA as noted with TUV options available



AMI 189 C-Frame Motor Performance Data

Model	Dimensions inches (mm)			Voltage VAC	Frequency Hz	Full Load				Output Power W
	A	B	C			Current A	Input Power W	Speed RPM	Torque lb-in (Nm)	
AMI-C-189-039*	.39 (10)	1.30 (33)	.039 (1) ~ .39 (10)	120 or 220	50/60	0.10	7.50	2100	21.7 (2.45)	0.40
AMI-C-189-0630	.63 (16)	1.61 (41)	.039 (1) ~ .39 (10)	120 or 220	50/60	0.14	15.50	2200	34.7 (3.92)	1.00
AMI-C-189-0787	.79 (20)	1.77 (45)	.039 (1) ~ .39 (10)	120 or 220	50/60	0.15	19.00	2250	47.7 (5.39)	1.40

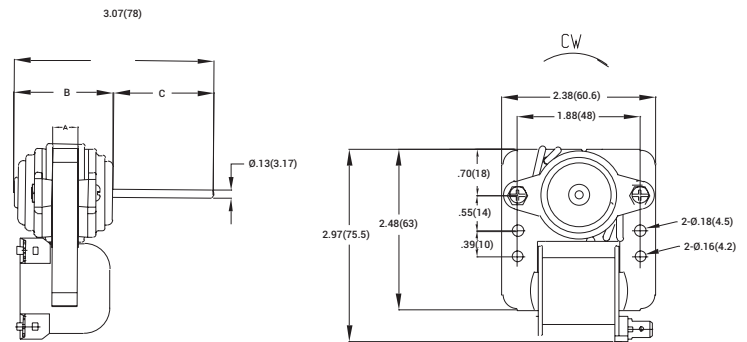
*UL/CSA

C-FRAME MOTORS *cont.*

238 FAMILY

Product Features:

- 2.38" lamination
- Heavy duty steel and die cast zinc construction
- Several shaft size options
- Mechanical and fan duty applications
- Multiple mounting schemes available
- A variety of termination configurations available
- Class A insulation is standard with other options, including Class H, available on a limited basis
- UL Recognized to standard 1004 (file E479191) and CSA as noted with TUV options available



AMI 238 C-Frame Motor Performance Data

Model	Dimensions inches (mm)			Voltage VAC	Frequency Hz	Full Load				Output Power W
	A	B	C			Current A	Input Power W	Speed RPM	Torque lb-in (Nm)	
AMI-C-238-039*	.39 (10)	1.54 (39)	.39 (10) ~ 3.9 (100)	120 or 220	50/60	0.15	13.80	2350	52 (5.88)	1.40
AMI-C-238-051*	.51 (13)	1.65 (42)	.39 (10) ~ 3.9 (100)	120 or 220	50/60	0.17	17.25	2350	78 (8.82)	2.00
AMI-C-238-0630*	.63 (16)	1.77 (45)	.39 (10) ~ 3.9 (100)	120 or 220	50/60	0.20	24.15	2350	130 (14.70)	3.70
AMI-C-238-0787*	.79 (20)	1.93 (49)	.39 (10) ~ 3.9 (100)	120 or 220	50/60	0.22	25.30	2350	146 (16.56)	4.50
AMI-C-238-1000*	1.02 (26)	2.12 (54)	.39 (10) ~ 3.9 (100)	120 or 220	50/60	0.25	28.75	2350	173 (19.60)	5.40
AMI-C-238-1181	1.18 (30)	2.32 (59)	.39 (10) ~ 3.9 (100)	120 or 220	50/60	0.27	32.20	2450	204 (23.10)	6.45
AMI-C-238-1377*	1.38 (35)	2.52 (64)	.39 (10) ~ 3.9 (100)	120 or 220	50/60	0.31	37.95	2450	234 (26.46)	7.42

*UL/CSA



ROUND LAMINATION MOTORS

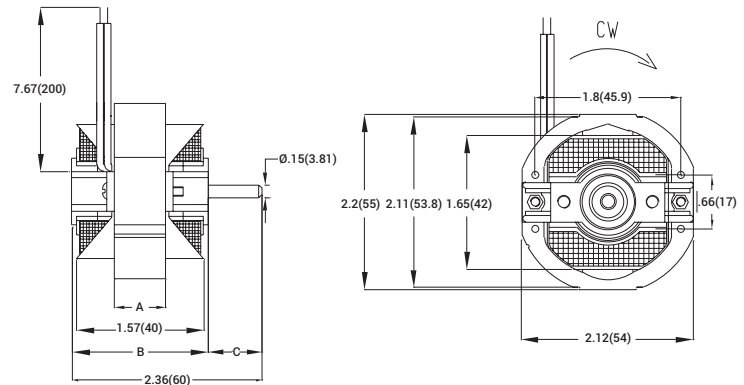
ROUND LAMINATION MOTORS

These motors are used in variable speed applications that are uniquely designed and selected to fulfill specific load requirements. Designed to withstand the rigors of a wide variety of usages, these motors are low noise and highly reliable for applications such as refrigeration, HVAC, medical/dental, and submersible pumps.

228 FAMILY

Product Features:

- 2.28" diameter
- Heavy duty steel and die cast zinc construction
- Several shaft size options
- Multiple mounting schemes available
- Mechanical and fan duty applications
- A variety of termination configurations available
- Class A insulation is standard with other options, including Class H, available on a limited basis
- UL Recognized to standard 1004 (file E479191) and CSA with TUV options available



AMI 228 Round Motor Performance Data

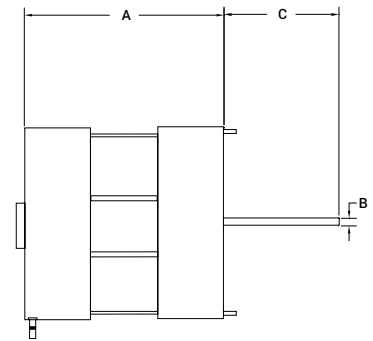
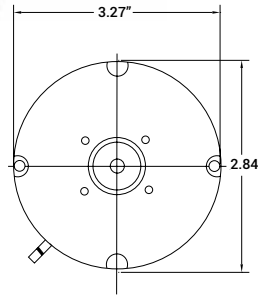
Model	Dimensions inches (mm)			Voltage VAC	Frequency Hz	Full Load				Output Power W
	A	B	C			Current A	Input Power W	Speed RPM	Torque lb-in (Nm)	
AMI-C-228-047	.47 (12)	1.50 (38)	.39 (10) ~ 3.9 (100)	120 or 220	50/60	0.14	15.50	2200	34.7 (3.92)	1
AMI-C-228-0630	.63 (16)	1.57 (40)	.39 (10) ~ 3.9 (100)	120 or 220	50/60	0.17	17.50	2300	78 (8.82)	2.2

ROUND LAMINATION MOTORS *cont.*

3.3 FAMILY 001-3.3" MOTORS

Product Features:

- Shaded Pole Motor
- Totally Enclosed
- Sleeve or Ball Bearing
- Automatic Overload
- Stud Mount
- Single Shaft
- Rotation Determined By Viewing Shaft End



AMI 3.3 Family 001-3.3" Motor Performance Data

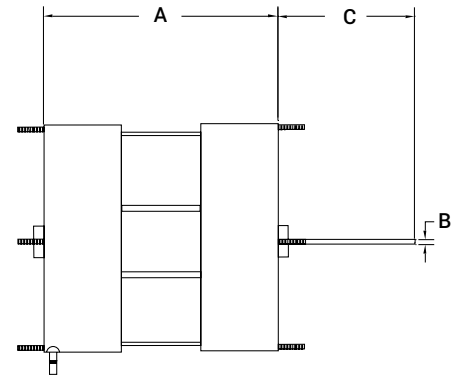
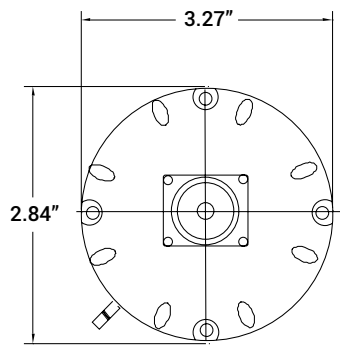
Model	HP	RPM	Voltage VAC	Current A	Rotation	Dimensions inches (mm)		
						A	B	C
AMI-3.3-TE-0401	1/150	1600	115	.40	CCW	2.09 (53)	.25 (6.35)	1.54 (39)
AMI-3.3-TE-0506	1/140	1400	115	.5	CW	1.88 (47.8)	.25 (6.35)	2 (50.8)
AMI-3.3-TE-2514	1/100	1550	115	.7	CCW	2.09 (53)	.31 (7.9)	1.2 (30.5)
AMI-3.3-TE-2512	1/100	1550	115	.70	CW	2.09 (53)	.25 (6.35)	1.2 (30.5)
AMI-3.3-TE-2635	1/91	1550	115	.49	CW	2.09 (53)	.31 (7.9)	1.2 (30.5)
AMI-3.3-TE-0260	1/90	1500	115	.60	CW	2.11 (53.6)	.31 (7.9)	1.1 (27.9)
AMI-3.3-TE-0207	1/80	1600	115	.80	CW	2.01 (51)	.25 (6.35)	1.54 (39)
AMI-3.3-TE-0264	1/75	1550	120	.70	CW	2.36 (59.9)	.31 (7.9)	2 (50.8)
AMI-3.3-TE-2637	1/75	1550	115	.63	CW	2.09 (53)	.31 (7.9)	1.14 (29)
AMI-3.3-TE-0222	1/75	1600	115	.78	CCW	2.09 (53)	.25 (6.35)	2.23 (56.6)
AMI-3.3-TE-0203	1/70	1600	115	.9	CCW	2.09 (53)	.25 (6.35)	1.54 (39)
AMI-3.3-TE-0209	1/50	1500	115	.85	CW	2.36 (59.9)	.25 (6.35)	1.58 (40.1)
AMI-3.3-TE-0210	1/50	1550	230	.40	CCW	2.36 (59.9)	.25 (6.35)	1.54 (39)
AMI-3.3-TE-0262	1/40	1550	115	1.10	CW	2.38 (60.4)	.31 (7.9)	1.52 (38.6)
AMI-3.3-TE-0219	1/20	1550	115	1.80	CW	2.8348 (72)	.31 (7.9)	2.2848 (57.9)
AMI-3.3-TE-0266	1/20	1550	120	1.45	CW	2.83 (72)	.31 (7.9)	1.43 (36.3)
AMI-3.3-TE-0220	1/20	1550	115	1.8	CW	2.8358 (72)	.31 (7.9)	1.2 (30.5)

ROUND LAMINATION MOTORS *cont.*

3.3 FAMILY 002-3.3" MOTORS

Product Features:

- Shaded Pole
- Open Ventilated
- Sleeve Bearing
- Automatic Overload
- Stud Mount
- Single Shaft
- Rotation Determined By Viewing Shaft End



AMI 3.3 Family 002-3.3" Motor Performance Data

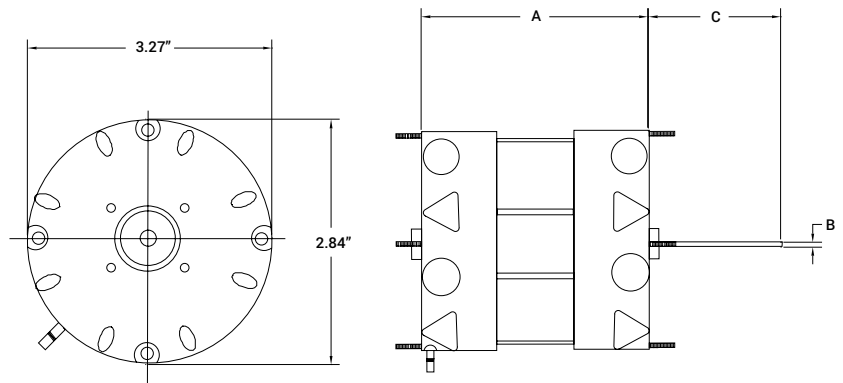
Model	HP	RPM	Voltage VAC	Current A	Rotation	Dimensions inches (mm)		
						A	B	C
AMI-3.3-OV-2513	1/100	1550	115	.70	CW	2.09 (53)	.31 (7.9)	1.26 (32)
AMI-3.3-OV-0315	1/90	1550	120	.5	CCW	2.09 (53)	.31 (7.9)	1.26 (32)
AMI-3.3-OV-0865	1/70	1550	115	.7	CW	3.36 (85.3)	.25 (6.35)	1.5 (38.1)
AMI-3.3-OV-2510	1/70	1320	115	.85	CCW	2.08 (52.8)	.25 (6.35)	1.26 (32)
AMI-3.3-OV-0358	1/20	1550	120	2	CCW	3.35 (85.1)	.31 (7.9)	3.23 (82)
AMI-3.3-OV-0359	1/20	1500	208-240	1.1	CCW	3.35 (85.1)	.31 (7.9)	3.23 (82)

ROUND LAMINATION MOTORS *cont.*

3.3 FAMILY 003-3.3" MOTORS

Product Features:

- Shaded Pole motors
- Open Ventilated
- Sleeve Bearing
- Automatic Overload
- Stud Mount
- Single Shaft
- Rotation Determined By Viewing Shaft End



AMI 3.3 Family 003-3.3" Motor Performance Data

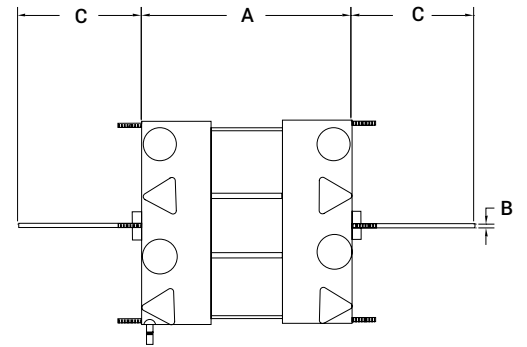
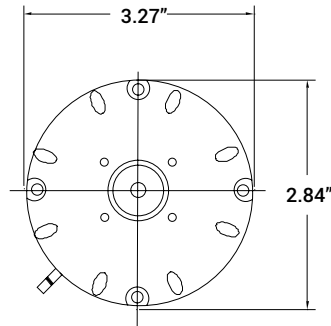
Model	HP	RPM	Voltage VAC	Current A	Rotation	Dimensions inches (mm)		
						A	B	C
AMI-3.3-OV-2583	1/100	1550	120	0.55	CW	2.52 (64)	.31 (7.9)	1.89 (48)
AMI-3.3-OV-2048	1/40	1550	120	0.90	CCW	2.20 (55.9)	.31 (7.9)	2.20 (55.9)
AMI-3.3-OV-2584	1/30	1550	120	1.3	CW	2.52 (64)	.31 (7.9)	1.89 (48)
AMI-3.3-OV-2259	1/30	1550	115	1.1	CW	4.61 (117)	.31 (7.9)	1.89 (48)
AMI-3.3-OV-0030	11/25	1550	115	1.8	CCW	2.52 (64)	.31 (7.9)	2.52 (64)
AMI-3.3-OV-0031	11/25	1550	115	1.8	CW	2.52 (64)	.31 (7.9)	2.52 (64)
AMI-3.3-OV-0188	11/20	1550	230	0.80	CCW	2.86 (72.6)	.31 (7.9)	2.24 (56.9)
AMI-3.3-OV-0189	11/20	1550	230	0.8	CW	2.86 (72.6)	.31 (7.9)	2.24 (56.9)
AMI-3.3-OV-4107	11/20	1550	208-230	1.1	CCW	3.07 (78)	.31 (7.9)	2.56 (65)
AMI-3.3-OV-2030	11/20	1550	115	1.8	CCW	2.52 (64)	.31 (7.9)	2.48 (63)
AMI-3.3-OV-2195	11/20	1300-1550	208-230	1	CW	3.1 (78.7)	.31 (7.9)	2.56 (65)
AMI-3.3-OV-5036	1/18	1500	115	2.1	CCW	2.99 (75.9)	.31 (7.9)	2.48 (63)
AMI-3.3-OV-2506	1/15	1550	115	2.3	CCW	3.54 (89.9)	.31 (7.9)	2.99 (75.9)
AMI-3.3-OV-2507	1/15	1550	208-230	1.3	CCW	3.54 (89.9)	.31 (7.9)	2.99 (75.9)
AMI-3.3-OV-0313	1/15	1550	115	2.2	CCW	3.62 (91.9)	.31 (7.9)	3.03 (77)
AMI-3.3-OV-0355	1/15	1550	120	2.2	CW	3.15 (80)	.31 (7.9)	1.93 (49)

ROUND LAMINATION MOTORS *cont.*

3.3 FAMILY 004-3.3" MOTORS

Product Features:

- Shaded Pole Motors
- Open Ventilated
- Sleeve Bearing
- Automatic Overload
- Stud Mount
- Single Shaft
- Rotation Determined By Viewing Shaft End



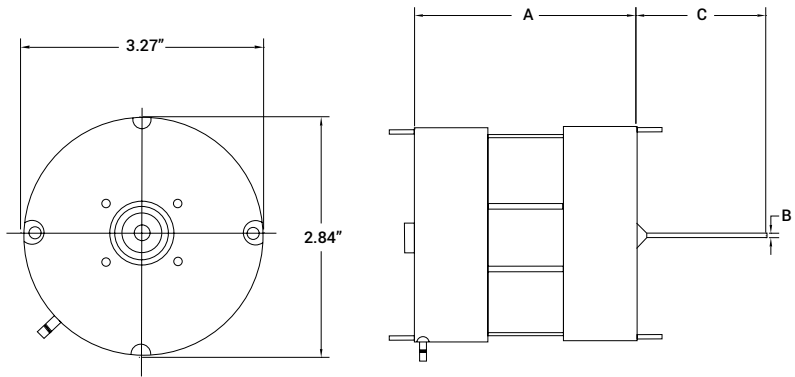
AMI 3.3 Family 004-3.3" Motor Performance Data

Model	HP	RPM	Voltage VAC	Current A	Rotation	Dimensions inches (mm)		
						A	B	C
AMI-3.3-OV-040	1/80	1550	115	0.6	CCW	2.245 (57)	.31 (7.9)	1.614 (41)
AMI-3.3-OV-2127	1/40	1550	115	1.1	CCW	2.599 (66)	.25 (6.35)	7.559 (192)
AMI-3.3-OV-2516	1/15	1550	115	2.5	CCW	3.189 (81)	.31 (7.9)	9.725 (247)
AMI-3.3-OV-2324	1/25	1550	115	2	CW	2.953 (75)	.31 (7.9)	1.19 (30)
AMI-3.3-OV-2152	1/20	1550	120	1.8	CW	2.363 (60)	.31 (7.9)	1.733 (44)
AMI-3.3-OV-0717	1/12	1550	115	2.4	CCW	3.583 (91)	.31 (7.9)	12 (305)
AMI-3.3-OV-0729	1/12	1550	115	2.4	CW	3.583 (91)	.31 (7.9)	12 (305)

3.3 FAMILY 005-3.3" MOTORS

Product Features:

- Shaded Pole Motors
- Totally Enclosed
- Sleeve Bearing
- Automatic Overload
- Stud Mount
- Single Shaft
- Rotation Determined By Viewing Shaft End



AMI 3.3 Family 005-3.3" Motor Performance Data

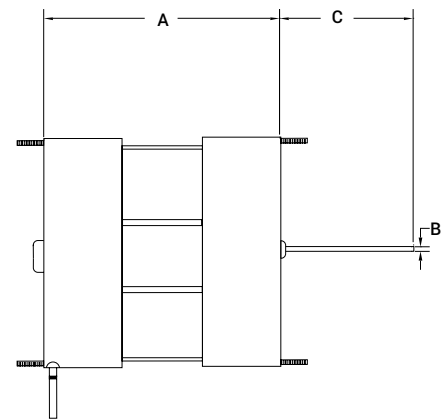
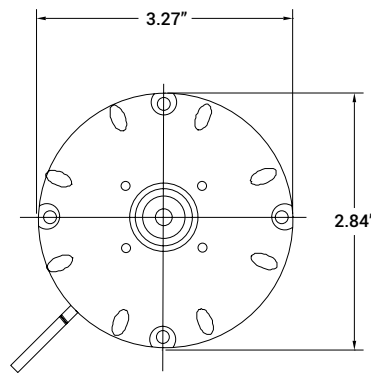
Model	HP	RPM	Voltage VAC	Current A	Rotation	Dimensions inches (mm)		
						A	B	C
AMI-3.3-TE-0403	1/125	1550	115	.4	CW	2.756 (70)	.25 (6.35)	1.3 (33)
AMI-3.3-TE-0511	1/100	1350	240	.38	CW	2.09 (53)	.25 (6.35)	2.09 (53)
AMI-3.3-TE-0206	1/100	1550	115	.56	CC	2.09 (53)	.25 (6.35)	1.457 (37)
AMI-3.3-TE-0123	1/80	1550	115	.70	CW	2.21 (56)	.25 (6.35)	2.25 (57)
AMI-3.3-TE-0122	1/80	1550	115	.70	CW	2.86 (72.6)	.31 (7.9)	2.25 (57)
AMI-3.3-TE-0512	1/65	1500	115	.68	CW	2.087 (53)	.25 (6.35)	1.063 (27)
AMI-3.3-TE-2125	1/55	1550	115	.75	CW	4.66 (118)	.25 (6.35)	2.284 (58)
AMI-3.3-TE-1105	1/50	1500	115	1.0	CCW	2.37 (60)	.25 (6.35)	2.52 (64)
AMI-3.3-TE-2124	1/50	1550	115	0.75	CCW	4.66 (118)	.25 (6.35)	2.284 (58)
AMI-3.3-TE-0201	1/50	1430	115	0.9	CW	2.126 (54)	.25 (6.35)	2.25 (57)
AMI-3.3-TE-0202	1/40	1550	115	1.0	CW	2.48 (63)	.25 (6.35)	1.3 (33)
AMI-3.3-TE-0217	1/35	1450	240	0.5	CW	2.48 (63)	.25 (6.35)	1.2 (30.5)

ROUND LAMINATION MOTORS *cont.*

3.3 FAMILY 006-3.3" MOTORS

Product Features:

- Shaded Pole Motors
- Open Ventilated
- Sleeve Bearing
- Automatic, Overload
- Stud Mount
- Single Shaft
- Rotation Determined By Viewing Shaft End



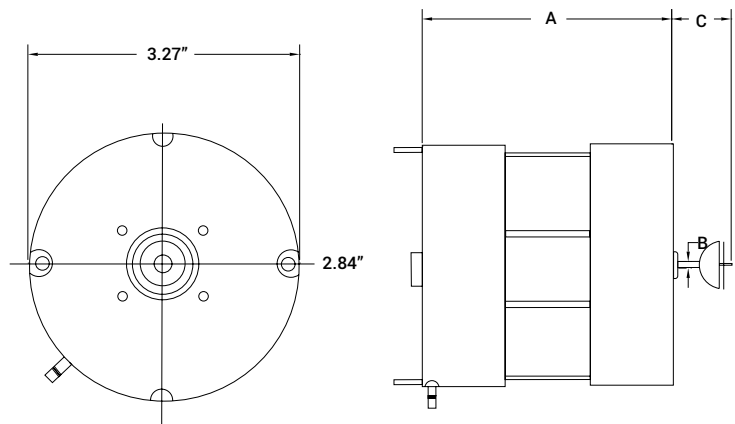
AMI 3.3 Family 006-3.3" Motor Performance Data

Model	HP	RPM	Voltage VAC	Current A	Rotation	Dimensions inches (mm)		
						A	B	C
AMI-3.3-OV-0325	1/125	1500	115	.4	CCW	2.007 (51)	.25 (6.35)	2.244 (57)
AMI-3.3-OV-2120	1/70	1550	115	.7	CCW	2.09 (53)	.25 (6.35)	2.29 (58)
AMI-3.3-OV-2122	1/70	1550	115	.8	CW	2.09 (53)	.25 (6.35)	2.29 (58)
AMI-3.3-OV-0319	1/50	1430	115	.9	CCW	2.11 (53.6)	.25 (6.35)	2.29 (58)
AMI-3.3-OV-0279	1/40	1550	115	1.2	CW	5.18 (131)	.31 (7.9)	2.56 (65)
AMI-3.3-OV-0660	1/40	1550	115	1.2	CCW	2.6 (66)	.31 (7.9)	2.52 (64)
AMI-3.3-OV-0409	1/40	1550	115	1.3	CCW	2.146 (54.5)	.31 (7.9)	1.575 (40)
AMI-3.3-OV-0350	1/35	1050	120	1.24	CW	2.835 (72)	.31 (7.9)	1.536 (39)

3.3 FAMILY 007-3.3" MOTORS

Product Features:

- Shaded Pole Motors
- Totally Enclosed
- Sleeve or Ball Bearing
- Automatic Overload
- Stud Mount
- With Hub
- Rotation Determined By Viewing End



AMI 3.3 Family 007-3.3" Motor Performance Data

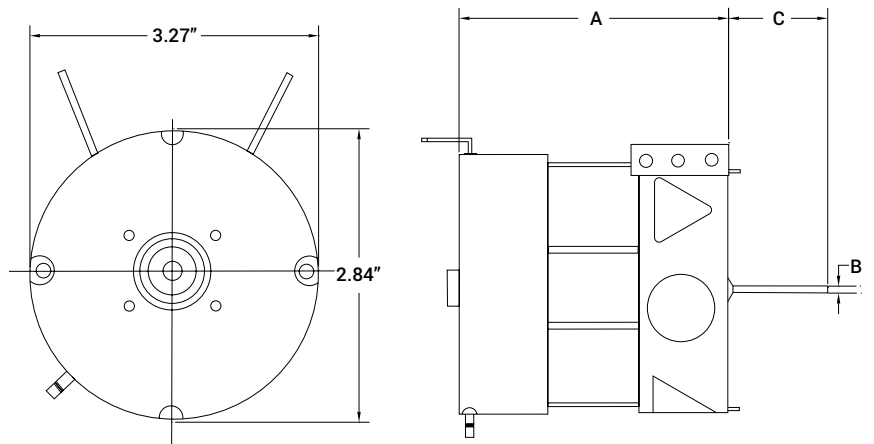
Model	HP	RPM	Voltage VAC	Current A	Rotation	Dimensions inches (mm)		
						A	B	C
AMI-3.3-TE-1211	1/150	1400	120	.25	CW	2.087 (53)	.31 (7.9)	1.103 (28)
AMI-3.3-TE-0128	1/135	155.0	115	0.4	CW	2.126 (54)	.31 (7.9)	1.024 (26)
AMI-3.3-TE-0120	1/70	1550	115	.7	CW	2.245 (57)	.31 (7.9)	1.18 (30)
AMI-3.3-TE-0127	1/175	1600	115	0.62	CCW	2.087 (53)	.31 (7.9)	1.42 (36)
AMI-3.3-TE-0250	1/70	1500	120	0.8	CCW	3.662 (93)	.31 (7.9)	2.363 (60)
AMI-3.3-TE-0137	1/60	1550	115	0.7	CW	2.21 (56)	.31 (7.9)	1.142 (29)
AMI-3.3-TE-0122	1/60	1550	230	0.59	CW	2.52 (64)	.31 (7.9)	1.103 (28)
AMI-3.3-TE-0101	1/45	1550	115	0.35	CW	2.37 (60)	.31 (7.9)	1.18 (30)
AMI-3.3-TE-101L	1/45	1550	115	0.9	CW	2.37 (60)	.31 (7.9)	1.18 (30)
AMI-3.3-TE-0103	1/45	1550	115	0.9	CCW	2.37 (60)	.31 (7.9)	1.18 (30)
AMI-3.3-TE-103L	1/45	1550	115	0.9	CW	2.37 (60)	.31 (7.9)	1.18 (30)
AMI-3.3-TE-0133	1/30	1350	115	1.1	CCW	2.6 (66)	.31 (7.9)	1.18 (30)
AMI-3.3-TE-0125	1/20	1550	230	0.8	CCW	2.835 (72)	.31 (7.9)	1.26 (32)
AMI-3.3-TE-0124	1/20	1550	115	1.55	CCW	2.835 (72)	.31 (7.9)	1.26 (32)

ROUND LAMINATION MOTORS *cont.*

3.3 FAMILY 008-3.3" MOTORS

Product Features:

- Shaded Pole Motors
- Open Ventilated
- Sleeve or Ball Bearing
- Automatic Overload
- Stud Mount
- Single Shaft
- Rotation Determined By Viewing Shaft End



AMI 3.3 Family 008-3.3" Motor Performance Data

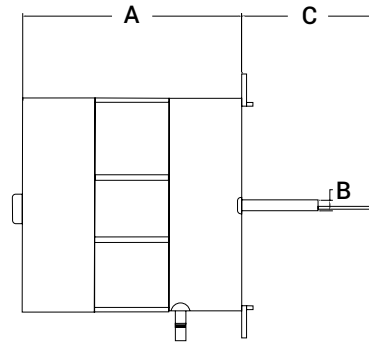
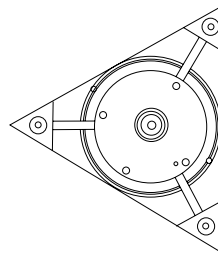
Model	HP	RPM	Voltage VAC	Current A	Rotation	Dimensions inches (mm)		
						A	B	C
AMI-3.3-OV-0326	1/125	1550	115	0.5	CW	2.09 (53)	.25 (6.35)	1.34 (34)
AMI-3.3-OV-0123	1/70	1550	115	0.6	CW	2.599 (66)	.31 (7.9)	1.103 (28)
AMI-3.3-OV-0318	1/20	1550	115	1.6	CW	2.835 (72)	.31 (7.9)	2.756 (70)

ROUND LAMINATION MOTORS *cont.*

3.3 FAMILY 009-3.3" MOTORS

Product Features:

- Shaded Pole
- Open Ventilated
- Sleeve or Ball Bearing
- Automatic Overload
- Stud Mount
- Rotation Determined By Viewing Shaft End



AMI 3.3 Family 009-3.3" Motor Performance Data

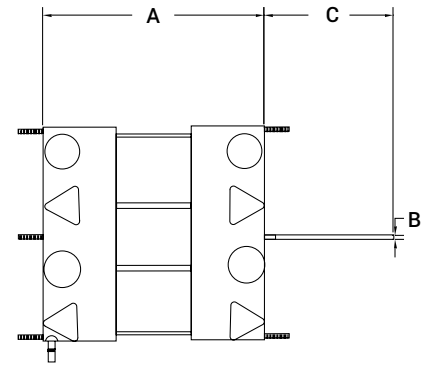
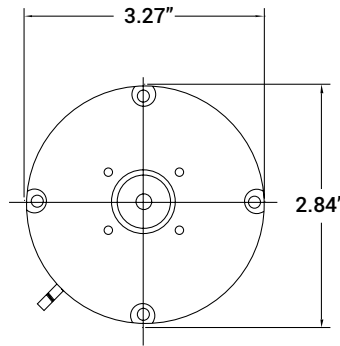
Model	HP	RPM	Voltage VAC	Current A	Rotation	Dimensions inches (mm)		
						A	B	C
AMI-3.3-OV-0215	1/250	1200	240	0.24	CCW	2.245 (57)	.31 (7.9)	2.245 (57)
AMI-3.3-OV-0303	1/25	1550	115	1.5	CCW	3.78 (96)	.31 (7.9)	3.386 (86)
AMI-3.3-OV-0212	1/35	1550	240	0.55	CW	2.85 (72.4)	.31 (7.9)	3.544 (90)

ROUND LAMINATION MOTORS *cont.*

3.3 FAMILY 010-3.3" MOTORS

Product Features:

- Shaded Pole Motors
- Open Ventilated
- Sleeve or Ball Bearing
- Automatic Overload
- Stud Mount
- Rotation Determined By Viewing Shaft End



AMI 3.3 Family 010-3.3" Motor Performance Data

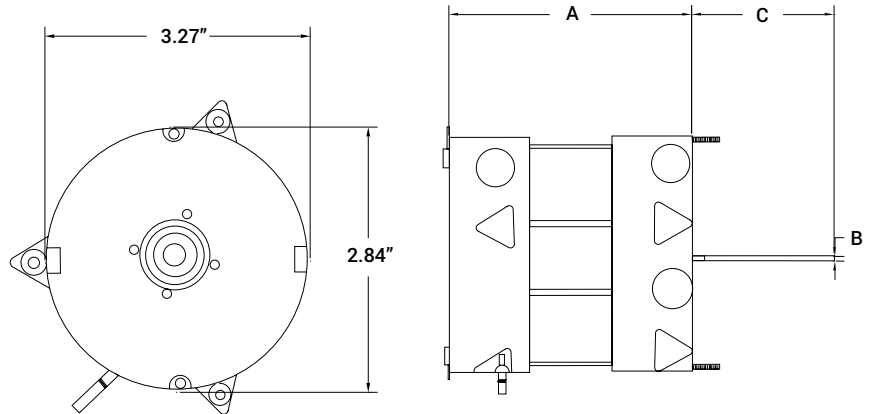
Model	HP	RPM	Voltage VAC	Current A	Rotation	Dimensions inches (mm)		
						A	B	C
AMI-3.3-OV-0302	1/100	1550	240	0.3	CW	2.245 (57)	.25 (6.35)	1.22 (31)

ROUND LAMINATION MOTORS *cont.*

3.3 FAMILY 011-3.3" MOTORS

Product Features:

- Shaded Pole Motors
- Open Ventilated
- Sleeve or Ball Bearing
- Automatic Overload
- Stud Mount
- Triangle Bracket
- Rotation Determined By Viewing Shaft End



AMI 3.3 Family 011-3.3" Motor Performance Data

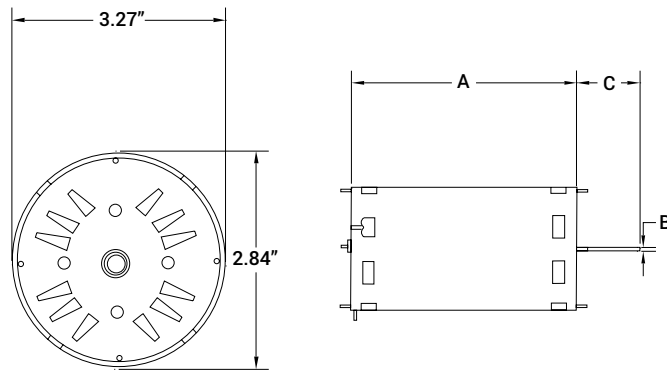
Model	HP	RPM	Voltage VAC	Current A	Rotation	Dimensions inches (mm)		
						A	B	C
AMI-3.3-OV-0205	1/30	1550	115	1.2	CW	2.48 (63)	.25 (6.35)	1.772 (45)

ROUND LAMINATION MOTORS *cont.*

3.3 FAMILY 012-3.3" MOTORS

Product Features:

- Shaded Pole Motors
- Open Ventilated
- Sleeve or Ball Bearing
- Automatic Overload
- Stud Mount or Ear Mount
- Single Shaft
- Rotation Determined By Viewing Shaft End



AMI 3.3 Family 012-3.3" Motor Performance Data

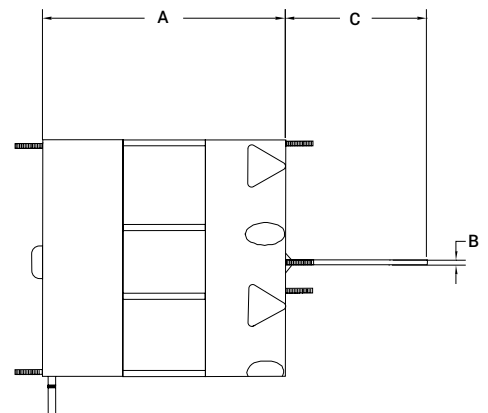
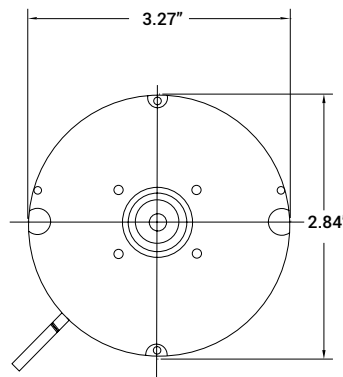
Model	HP	RPM	Voltage VAC	Current A	Rotation	Dimensions inches (mm)		
						A	B	C
AMI-3.3-OV-1101	1/20	1550	115	1.9	CCW	2.756 (70)	.31 (7.9)	2.205 (56)

ROUND LAMINATION MOTORS *cont.*

3.3 FAMILY 013-3.3" MOTORS

Product Features:

- Shaded pole
- Open Ventilated
- Sleeve or Ball Bearing
- Automatic Overload
- Stud Mount
- Single Shaft
- Rotation Determined By Viewing Shaft End



AMI 3.3 Family 013-3.3" Motor Performance Data

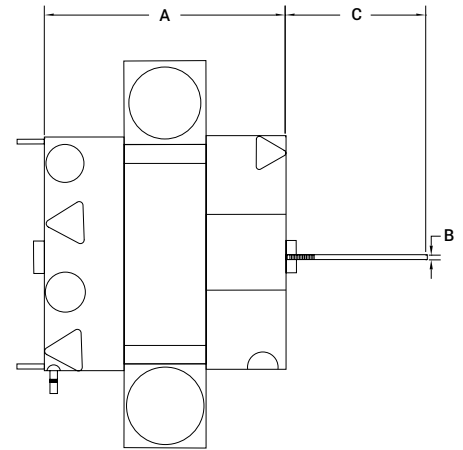
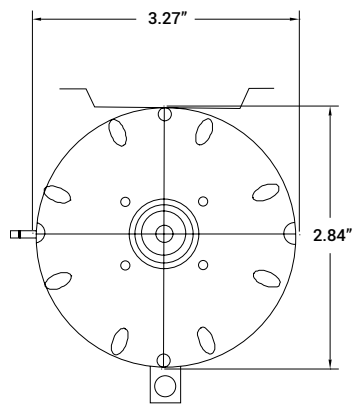
Model	HP	RPM	Voltage VAC	Current A	Rotation	Dimensions inches (mm)		
						A	B	C
AMI-3.3-OV-0360	1/30	1550	115	1.2	CW	2.52 (64)	.25 (6.35)	1.654 (42)

ROUND LAMINATION MOTORS *cont.*

3.3 FAMILY 014-3.3" MOTORS

Product Features:

- Shaded Pole Motors
- Open Ventilated
- Sleeve or Ball Bearing
- Automatic Overload
- Stud or Ear Mount
- Single Shaft
- Rotation Determined By Viewing Shaft End



AMI 3.3 Family 014-3.3" Motor Performance Data

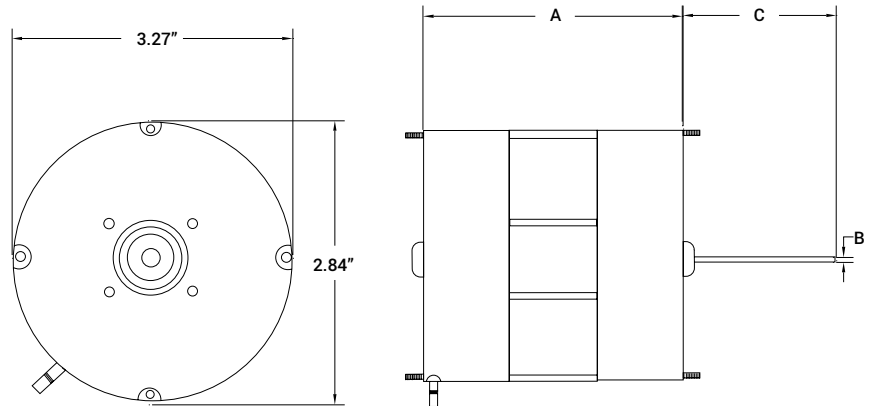
Model	HP	RPM	Voltage VAC	Current A	Rotation	Dimensions inches (mm)		
						A	B	C
AMI-3.3-OV-2121	1/30	3000	115	1.1	CCW	3.386 (86)	.31 (7.9)	2.205 (56)
AMI-3.3-OV-2180	1/20	3300	115	1.54	CCW	3.623 (92)	.31 (7.9)	2.166 (55)

ROUND LAMINATION MOTORS *cont.*

3.3 FAMILY 015-3.3" MOTORS

Product Features:

- Shaded Pole Motors
- Totally Enclosed
- Sleeve or Ball Bearing
- Automatic Overload
- Stud Mount
- Rotation Determined By Viewing Shaft End



AMI 3.3 Family 015-3.3" Motor Performance Data

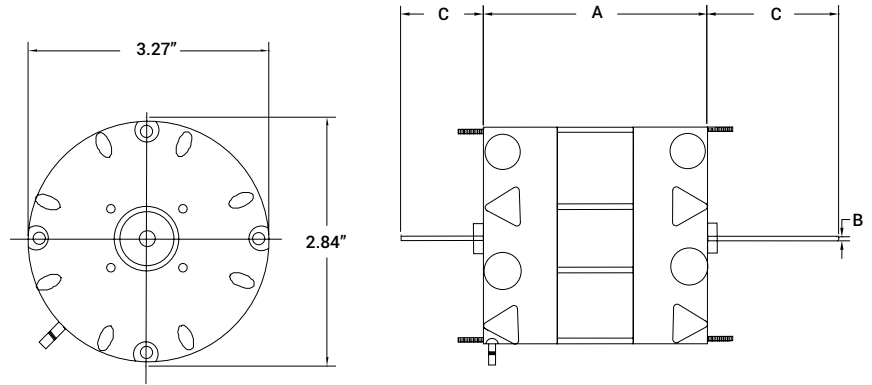
Model	HP	RPM	Voltage VAC	Current A	Rotation	Dimensions inches (mm)		
						A	B	C
AMI-3.3-TE-2500	1/70	3000	115	1.04	CW	2.363 (60)	.25 (6.35)	.985 (25)
AMI-3.3-TE-0402	1/60	3000	115	0.75	CCW	2.363 (60)	.25 (6.35)	1.81 (46)
AMI-3.3-TE-0403	1/60	3000	115	0.75	CW	2.363 (60)	.25 (6.35)	1.733 (44)
AMI-3.3-TE-2733	1/50	3000	115	1	CCW	2.6 (66)	.25 (6.35)	1.38 (35)

ROUND LAMINATION MOTORS *cont.*

3.3 FAMILY 016-3.3" MOTORS

Product Features:

- Shaded Pole Motors
- Open Ventilated
- Sleeve or Ball Bearing
- Automatic Overload
- Stud Mount
- Single Shaft
- Rotation Determined By Viewing Shaft End



AMI 3.3 Family 016-3.3" Motor Performance Data

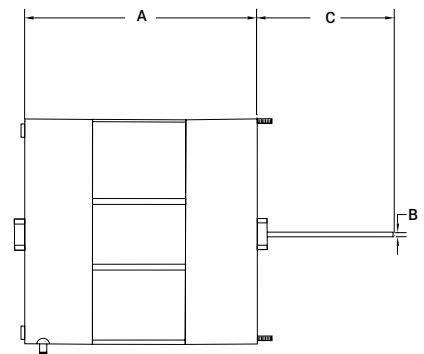
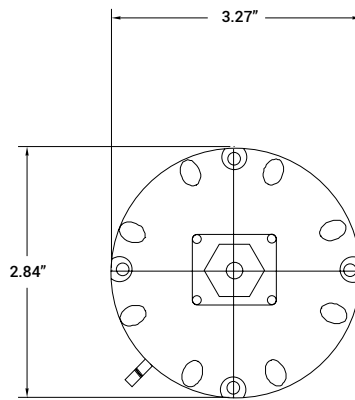
Model	HP	RPM	Voltage VAC	Current A	Rotation	Dimensions inches (mm)		
						A	B	C
AMI-3.3-OV-0169	1/70	3200	115	1.1	CCW	2.76 (70)	.31 (7.9)	3.65 (92.7)
AMI-3.3-OV-0413	1/30	3000	120	1.2	CCW	2.993 (76)	.25 (6.35)	7.56 (192)
AMI-3.3-OV-2011	1/30	3000	115	1.1	CW	2.835 (72)	.25 (6.35)	1.5 (38.1)

ROUND LAMINATION MOTORS *cont.*

3.3 FAMILY 017-3.3" MOTORS

Product Features:

- Shaded Pole
- Open Ventilated
- Sleeve or Ball Bearing
- Automatic Overload
- Stud Mount
- Single Shaft
- Rotation Determined By Viewing Shaft End



AMI 3.3 Family 017-3.3" Motor Performance Data

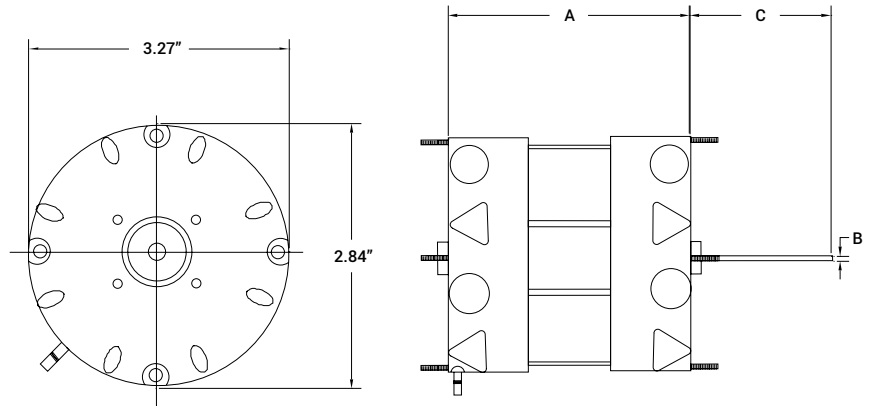
Model	HP	RPM	Voltage VAC	Current A	Rotation	Dimensions inches (mm)		
						A	B	C
AMI-3.3-OV-0600	1/80	3000	115	0.65	CCW	2.481 (63)	.25 (6.35)	2.166 (55)

ROUND LAMINATION MOTORS *cont.*

3.3 FAMILY 018-3.3" MOTORS

Product Features:

- Shaded Pole Motors
- Open Ventilated
- Sleeve or Ball Bearing
- Automatic Overload
- Stud Mount
- Single Shaft
- Rotation Determined By Viewing Shaft End



AMI 3.3 Family 018-3.3" Motor Performance Data

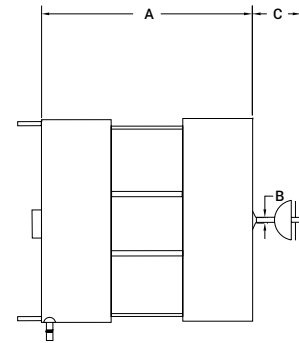
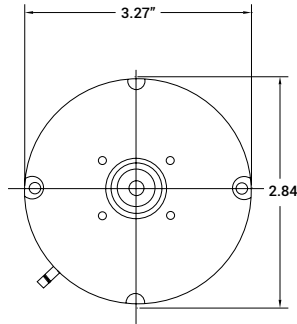
Model	HP	RPM	Voltage VAC	Current A	Rotation	Dimensions inches (mm)		
						A	B	C
AMI-3.3-OV-0307	1/25	3000	115	1.45	CCW	3.308 (84)	.25 (6.35)	1.3 (33)

ROUND LAMINATION MOTORS *cont.*

3.3 FAMILY 019-3.3" MOTORS

Product Features:

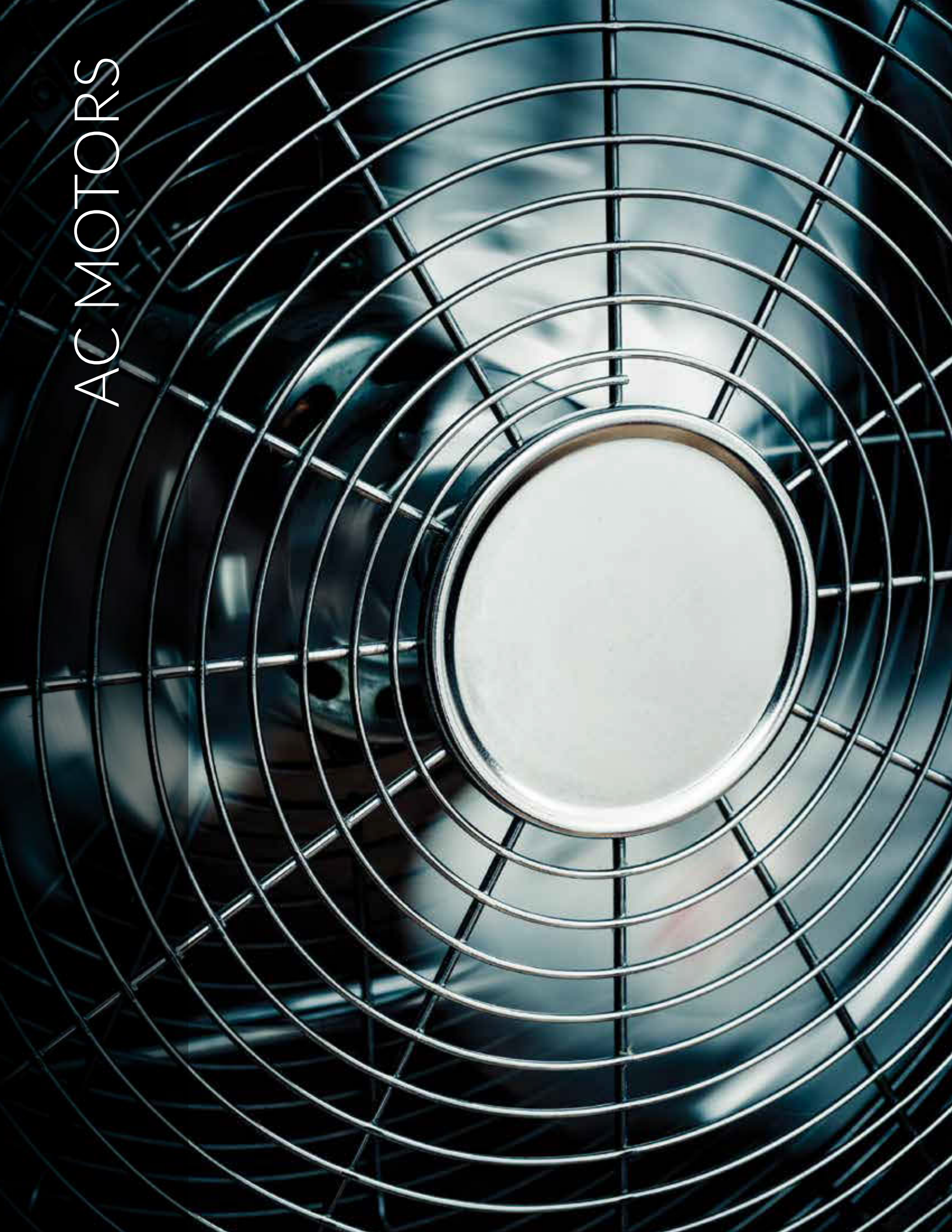
- Shaded Pole Motors
- Totally Enclosed
- Sleeve or Ball Bearing
- Automatic Overload
- Stud Mount
- With Hub
- Single Shaft
- Rotation Determined By Viewing Shaft End



AMI 3.3 Family 019-3.3" Motor Performance Data

Model	HP	RPM	Voltage VAC	Current A	Rotation	Dimensions inches (mm)		
						A	B	C
AMI-3.3-TE-0129	1/55	3000	115	0.7	CCW	2.56 (65)	.31 (7.9)	1.142 (29)

AC MOTORS

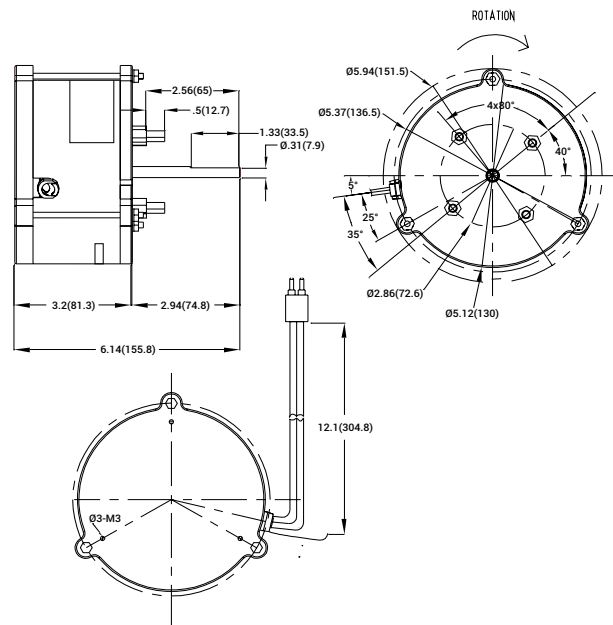


120V Series single-phase capacitor run asynchronous motor is designed in accordance with NEMA and Canadian C390-933 standards which makes it highly safe and reliable. Motors are designed with Class B insulation, and Voltage range of 208-230/460V, 460V or 575V, operating frequency of 50Hz/60Hz, ambient temperature range includes 5°F~104°F (-15°C~40°C), altitude limit of 3,280' (1000m). Other supportive features include low temperature rise and vibration, high efficiency and increased starting torque.

120V SERIES SINGLE-PHASE ASYNCHRONOUS MOTOR

Product Features:

- Compliance with NEMA standards makes it highly applicable in Furnace systems, Central /Commercial air-conditioning, Mechanical Facilities
- Voltage Rating: 100~120V, 200~240V
- Frequency: 50/60 Hz
- Rated Output Power: 1/10hp~1/4hp
- High efficiency
- Highly Reliable
- Custom design motors available on request



120V Series Single-Phase Asynchronous Motor Performance Data

Model	Voltage VAC	Frequency Hz	HP	Poles	RPM	Capacitor μ F/V
AMI-SPA-150-6	220	50	1/5	6	900	5.0/450
AMI-SPA-150-6(A)	208-230	60	1/5	6	1075	5.0/450
AMI-SPA-185-6	230	60	1/4	6	1075/875	5.0/450
AMI-SPA-73-6	208-230	60	1/10	6	1075/900	5.0/450

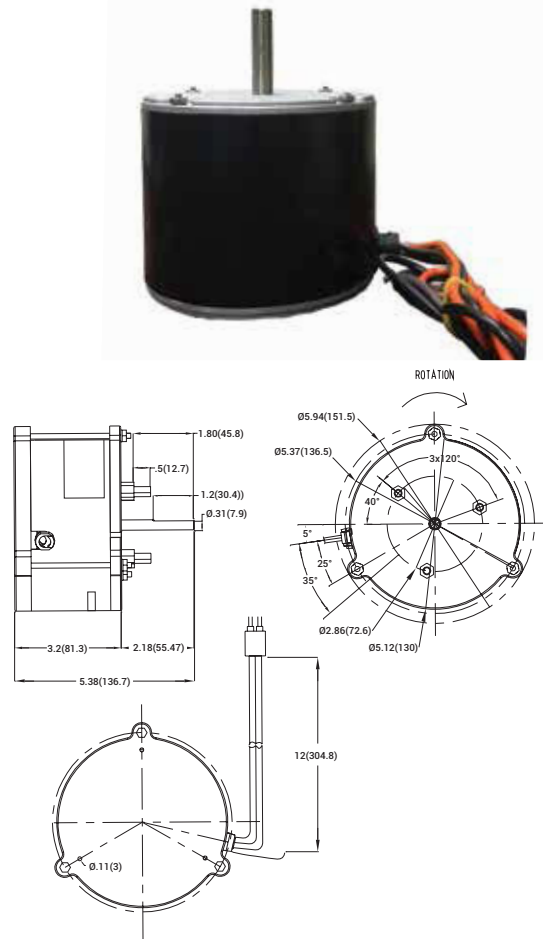
AC MOTORS *cont.*

SPA series single-phase capacitor run asynchronous motor is designed and produced in accordance with NEMA and Canadian C39093 standards for high safety and reliability. Motor is fabricated with Class B insulation, and voltage range of 208/230/460V or 575V, operating frequency of 50Hz/60Hz, ambient temperature range: 5°F~104°F (-15°C~40°C), and altitude limit of 3,280 (1000m). Other supportive features include low temperature rise and vibration, high efficiency and increased starting torque.

140V SERIES SINGLE-PHASE ASYNCHRONOUS MOTORS

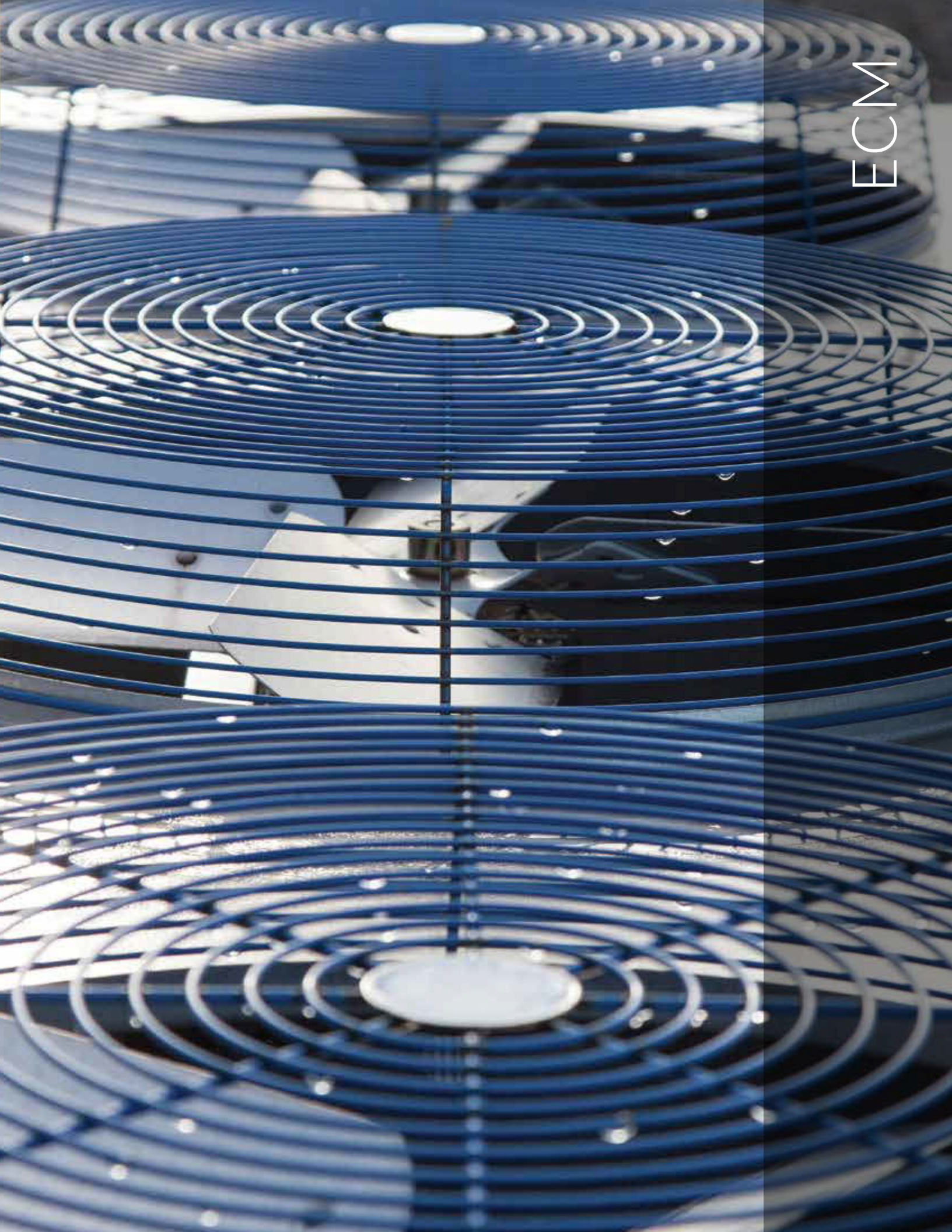
Product Features:

- Compliance with NEMA standards makes it highly applicable in Furnace systems, Central /Commercial air-conditioning, Mechanical Facilities
- Voltage Rating: 100~120V, 200~240V
- Frequency: 50/60 Hz
- Rated Output Power: 1/5HP~1HP
- Less vibration/noise
- High Efficiency
- Highly Reliable
- Custom design motors available on request



140V Series Single-Phase Asynchronous Motor Performance Data

Model	Voltage VAC	Frequency Hz	HP	Poles	RPM	Capacitor μ F/V
AMI-SPA-185-8	208-230	60	1/4	8	825	10/370
AMI-SPA-245-6	115	60	1/3	6	1075/1025/1000/975	5.0/370
AMI-SPA-245-6(A)	575	60	1/3	6	1075	10/370
AMI-SPA-375-6	115	60	1/2	6	1075/1025/1000/975	7.5/370



ECM

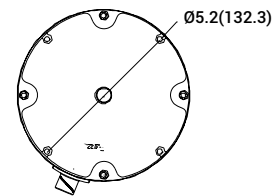
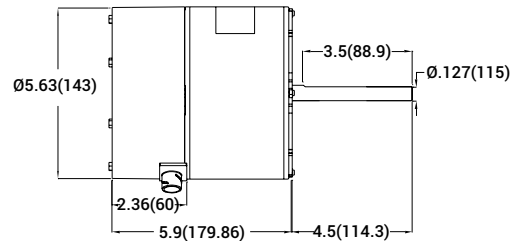
ELECTRONICALLY COMMUTATED MOTORS

Electronically Commutated Fan motor(ECM) is an advanced type Brushless DC motor with magnetic motor fabricated of permanent ferrite magnetic material and exclusively designed for evaporimeter and condenser. Other Features include high efficiency, low noise, low vibration, low temperature rise, ideal speed, good performance index, efficient control.

ELECTRONICALLY COMMUTATED FAN MOTOR

Product Features:

- Highly Efficient
- Reliability, extreme overload capacity due to presence of controller driving
- Provides Brushless and sensor-free control technology to ensure high control accuracy and reliable running of motor
- Compact size, low noise, lower starting temperature and ideal speed
- Designed to meet peak and rated current, with additional functions including surge immunity, antistatic operations and adverse weather protection.
- Continuous duty operation (S1)



Electronically Commutated Motor Performance Data

Model	Voltage VAC	Nominal Output Power (W)	Poles	RPM	Capacitor μ FV
AMI-ECM-50A-8	208~230	50	8	1625	1.95
AMI-ECM-50B-8	120	50	8	1625	2.0
AMI-ECM-50C-8	208~230	50	8	1525	1.9
AMI-ECM-50D-8	120	50	8	1525	1.9
AMI-ECM-184A-8	208~230	184	8	1175	4.3
AMI-ECM-184B-8	120	184	8	1175	4.3



BLOWERS

BLOWERS

Our innovative air circulation systems reduce total system cost. Altran Magnetics offers a wide variety of industrial blower types, including crossflow, die-casted aluminum, dilution air draft inducers, and sheet metal to meet a variety of application requirements. These 30, 45, and 60 mm blowers are typically used where low pressure laminar flow is desired and can be customized to the unique requirements of your application.

Consult our sales team for specific sizes, configurations and performance data. We can also make custom blowers to your specifications.

CROSSFLOW BLOWERS

Product Features:

- 30, 45 and 60 mm crossflow blowers are available in a variety of lengths and performances
- Used in various applications including food warming, hearth, and electronic cooling
- Aluminized steel construction
- Powered with C-Frame Motors
- Motors can be mounted in any of four positions
- Available in ball or sleeve bearing construction for high temperature long life
- Variety of performance options available



SHEET METAL BLOWERS

Product Features:

- Used in extreme temperature environments
- 4-piece, aluminized steel sheet metal construction
- Standard performance with C-Frame motors can handle up to 500°F (260°C)
- Multiple mounting schemes
- Variety of housing sizes - 8", 10", 11"



4 x 4 SQUIRREL CAGE BLOWERS

Product Features:

- High temperature blower wheel and ball bearing construction
- Designed for long life in high temperature applications such as hearth
- Isolation mounting to dampen noise and vibration
- Multi-speed available
- Powered with C-Frame motors
- Housing can be painted



DEEP DRAWN BLOWERS

Product Features:

- 2-piece, heavy gauge, aluminized steel construction
- Standard performance with C-Frame motors can handle up to 500°F (260°C)
- Quiet, vibration-free design
- Variety of mounting patterns and options available



C-FRAME MOTOR KITS & ACCESSORIES



Altran Magnetics provides a wide variety of mounting, termination, and fan blade options for maximum flexibility within OEM and aftermarket applications.



ADDITIONAL ALTRAN MAGNETICS PRODUCT GROUPS

ALTRAN MAGNETICS OFFERS TWO OF THE MOST ADVANCED PRODUCT LINES OF EMI FILTERS AND PHOTO CONTROLS IN NORTH AMERICA

EMI FILTERS

Altran Magnetics offers 725 standard products in four Core EMI Filter Product Groups: Power Line Filters, Power Entry Modules, 3-Phase Filters and DC Filters. These EMI Filters are used in an array of industries including Alternative Energy, Escalator/Elevator, Fitness, Food Service, Gaming, Industrial Controls, Medical Device, Networking, and Telecom.



PHOTO CONTROLS

Altran Magnetics offers 30 standard products in four Core Lighting Controls Product Groups: Twist-lock photocontrols for Utility-Grade HID, Induction, and Plasma Streetlights; Conduit Mounted photocells for Contractor Applications; Button-Type hard-wire photocells for internal fixture applications; and Electronic Twist-lock photocontrols for LED Outdoor Applications.



NOTES



3040 Venture Lane
Melbourne, FL 32934

Tel: 321-255-9191 • Fax: 321-255-9192
www.altranmagnetics.com • sales@altranmagnetics.com