

General EMI Filter with High Attenuation Performance



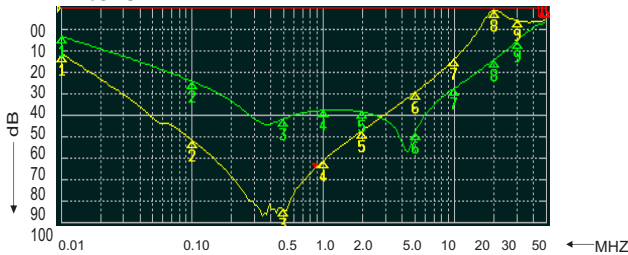
FILTER SELECTION TABLE

	Rated current @40°C (25°C)	Leakage current @ 250VAC/50Hz (@ 120VAC/60Hz)	Inductance ΣL	Capacitance ΣCx	Capacitance ΣCy	Resistance ΣR	Connetion type		
	A	mA	mH	μF	nF	K_{Ω}			
AMI-23-1-X	1 (1.1)	0.34 (0.20)	20	0.44	4.4	1000	1	3	
AMI-23-3-X	3 (3.4)	0.52 (0.30)	14	0.66	6.6	1000	1	3	
AMI-23-4-X	4 (4.5)	0.52 (0.30)	14	0.66	6.6	1000	1	3	
AMI-23-6-X	6 (6.7)	0.73 (0.43)	8	0.94	9.4	680	1	3	
AMI-23-8-X	8 (8.9)	0.73 (0.43)	8	0.94	9.4	680	1	3	
AMI-23-10-X	10 (11.2)	0.73 (0.43)	8	0.94	9.4	680	1	3	
AMI-23-12-X	12 (13.4)	1.57 (0.90)	4	2.00	20	330	1	3	
AMI-23-16-X	16 (17.9)	1.57 (0.90)	4	2.00	20	330	1	3	
AMI-23-20-X	20 (22.4)	1.57 (0.90)	4	2.00	20	330	1	3	6
AMI-23-30-X	30 (33.5)	1.57 (0.90)	2	2.00	20	330			6
AMI-23A-1-X	1 (1.1)	0.074 (0.04)	20	0.44	0.94	1000	1	3	
AMI-23A-3-X	3 (3.4)	0.074 (0.04)	14	0.66	0.94	1000	1	3	
AMI-23A-4-X	4 (4.5)	0.074 (0.04)	14	0.66	0.94	1000	1	3	
AMI-23A-6-X	6 (6.7)	0.074 (0.04)	8	0.94	0.94	680	1	3	
AMI-23A-8-X	8 (8.9)	0.074 (0.04)	8	0.94	0.94	680	1	3	
AMI-23A-10-X	10 (11.2)	0.074 (0.04)	8	0.94	0.94	680	1	3	
AMI-23A-12-X	12 (13.4)	0.074 (0.04)	4	2.00	0.94	330	1	3	
AMI-23A-16-X	16 (17.9)	0.074 (0.04)	4	2.00	0.94	330	1	3	
AMI-23A-20-X	20 (22.4)	0.074 (0.04)	4	2.00	0.94	330	1	3	6
AMI-23A-30-X	30 (33.5)	0.074 (0.04)	2	2.00	0.94	330			6
AMI-23B-1-X	1 (1.1)	0.02 (0.01)	20	0.44	0.94	1000	1	3	
AMI-23B-3-X	3 (3.4)	0.02 (0.01)	14	0.66	0.94	1000	1	3	
AMI-23B-4-X	4 (4.5)	0.02 (0.01)	14	0.66	0.94	1000	1	3	
AMI-23B-6-X	6 (6.7)	0.02 (0.01)	8	0.94	0.94	680	1	3	
AMI-23B-8-X	8 (8.9)	0.02 (0.01)	8	0.94	0.94	680	1	3	
AMI-23B-10-X	10 (11.2)	0.02 (0.01)	8.45	0.94	0.94	680	1	3	
AMI-23B-12-X	12 (13.4)	0.02 (0.01)	4	2.00	0.94	330	1	3	
AMI-23B-16-X	16 (17.9)	0.02 (0.01)	4	2.00	0.94	330	1	3	
AMI-23B-20-X	20 (22.4)	0.02 (0.01)	4	2.00	0.94	330	1	3	6
AMI-23B-30-X	30 (33.5)	0.02 (0.01)	2	2.00	0.94	330			6

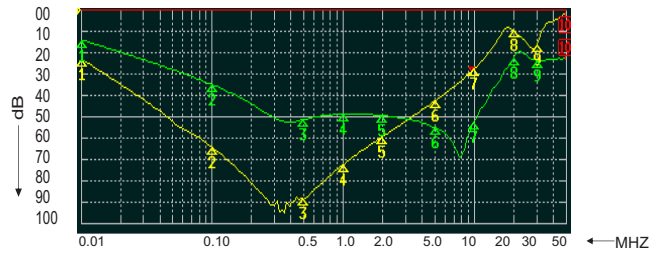
Where X denotes connection type

Insertion Loss: Common mode - —
Differential mode - —

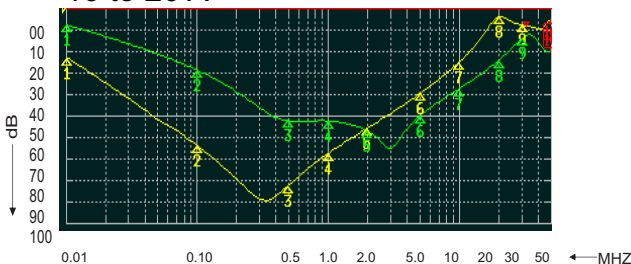
1 to 6 A



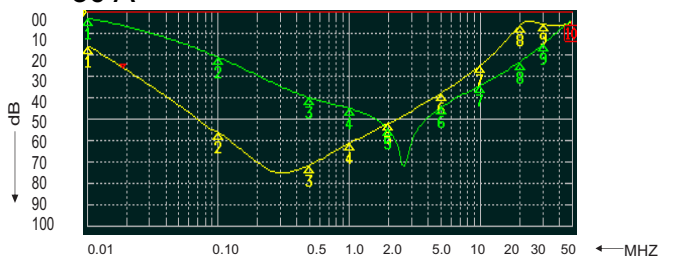
8 to 12 A



16 to 20 A

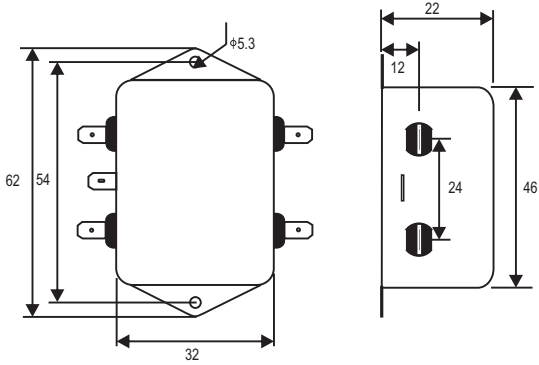


30 A

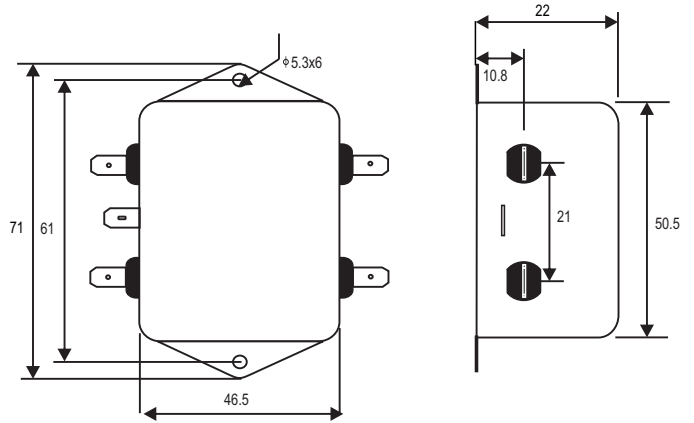


MECHANICAL DIMENSION (mm):

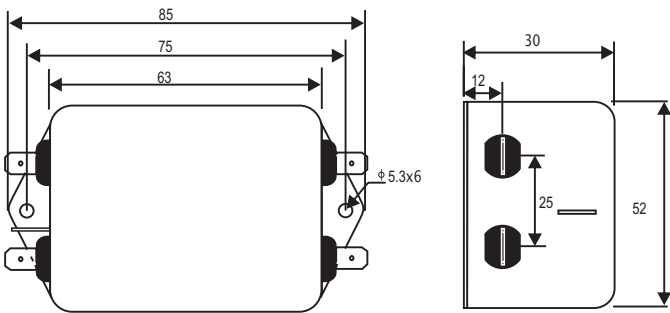
CONNECTION TYPE -1
1A



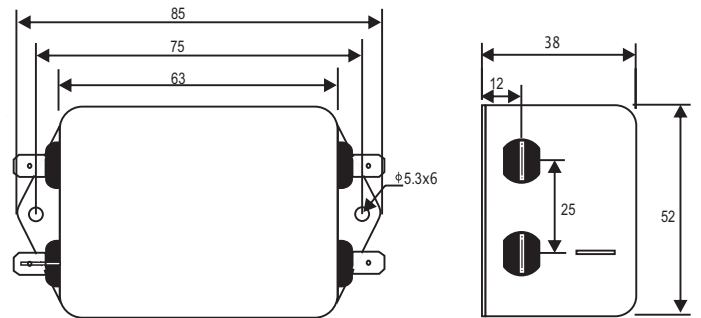
CONNECTION TYPE -1
3A TO 6A



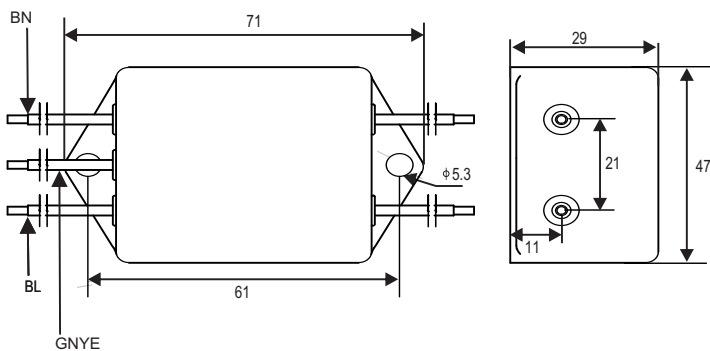
CONNECTION TYPE -1
8A TO 12A



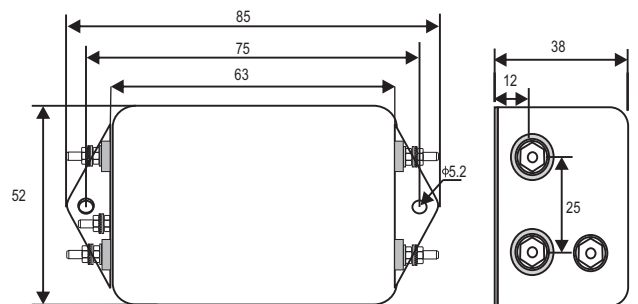
CONNECTION TYPE -1
16A & 20A



CONNECTION TYPE -3
16A



CONNECTION TYPE -6
20A & 30A



NOTE:

All Dimension in mm

- Connection type: 1 - Spade Terminals (6.3 x 0.8)
- 3 - Wire leads (140mm on both sides)
- 6 - Threaded Bolt Terminals (M4)